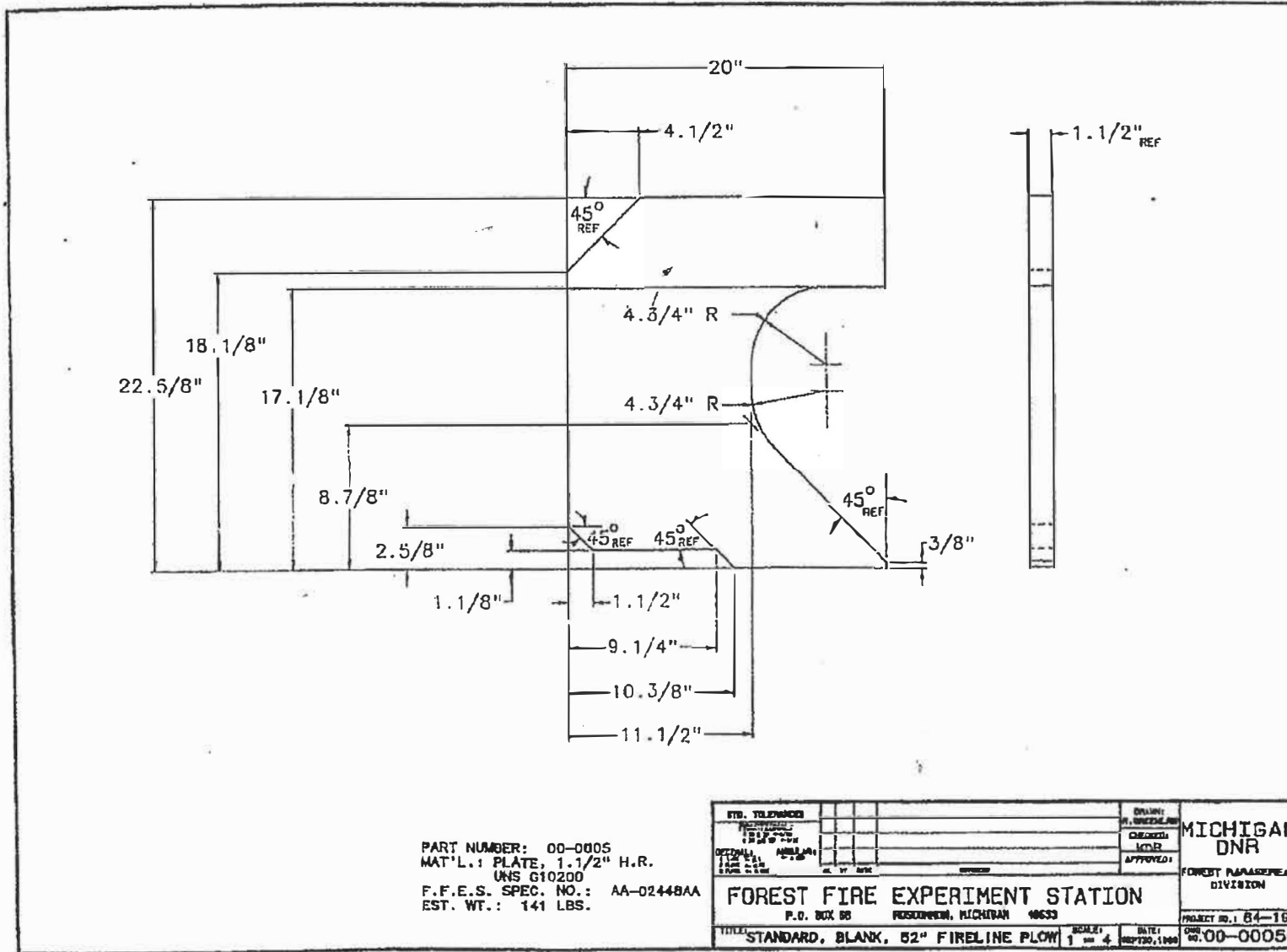


RFx.: 3000022740

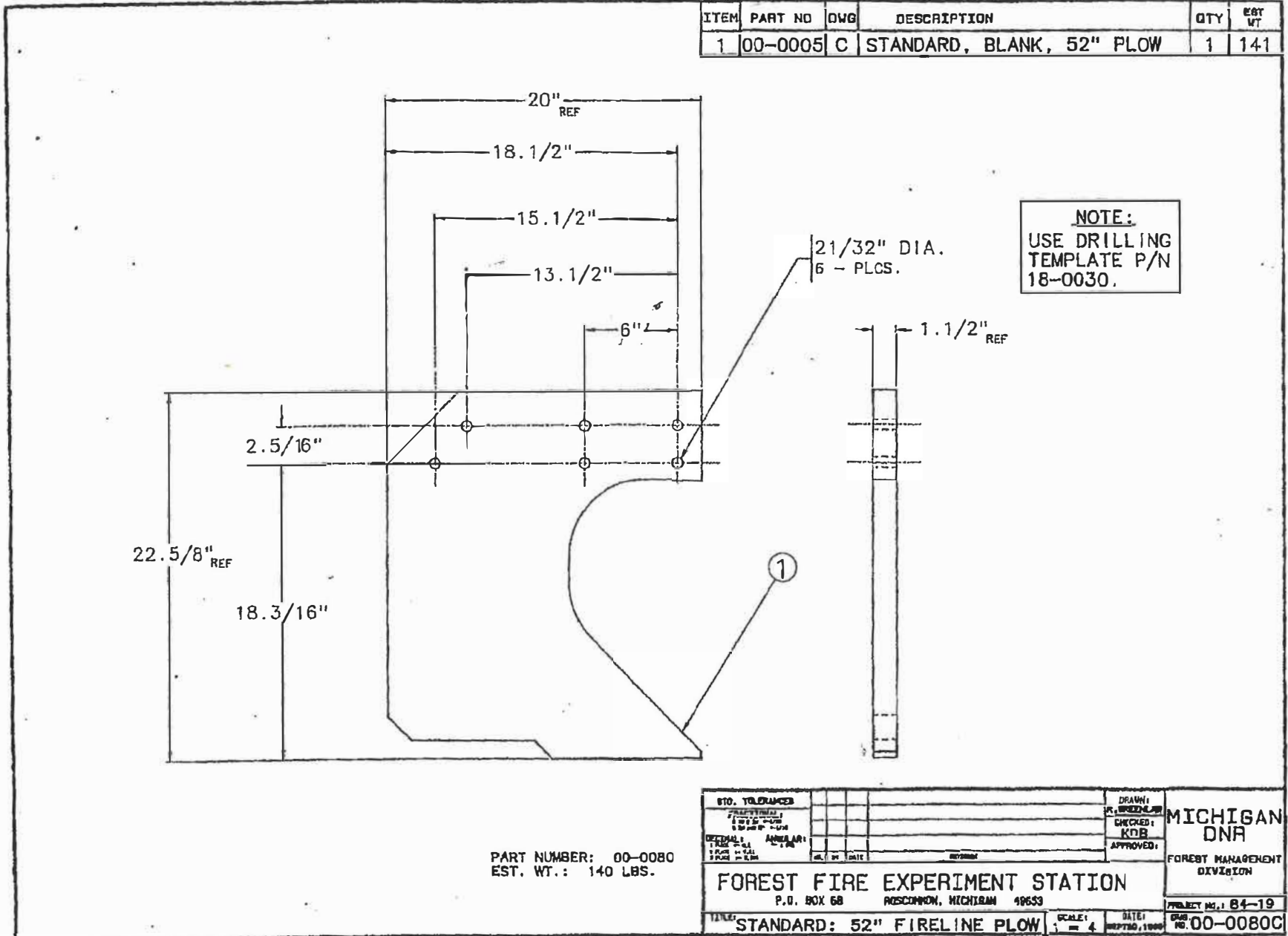
Title: *Site Visit* Dozer Plows



1/18

Aug-04-2009 03:53 PM L/D/AF 318-949-6648

PAGE 1/18 * RCVD AT 8/4/2009 3:55:33 PM [Central Daylight Time] * SVR:BATONROUGE10 * DNIS:5932 * CSID:318 949 6648 * DURATION (mm:ss):03-34

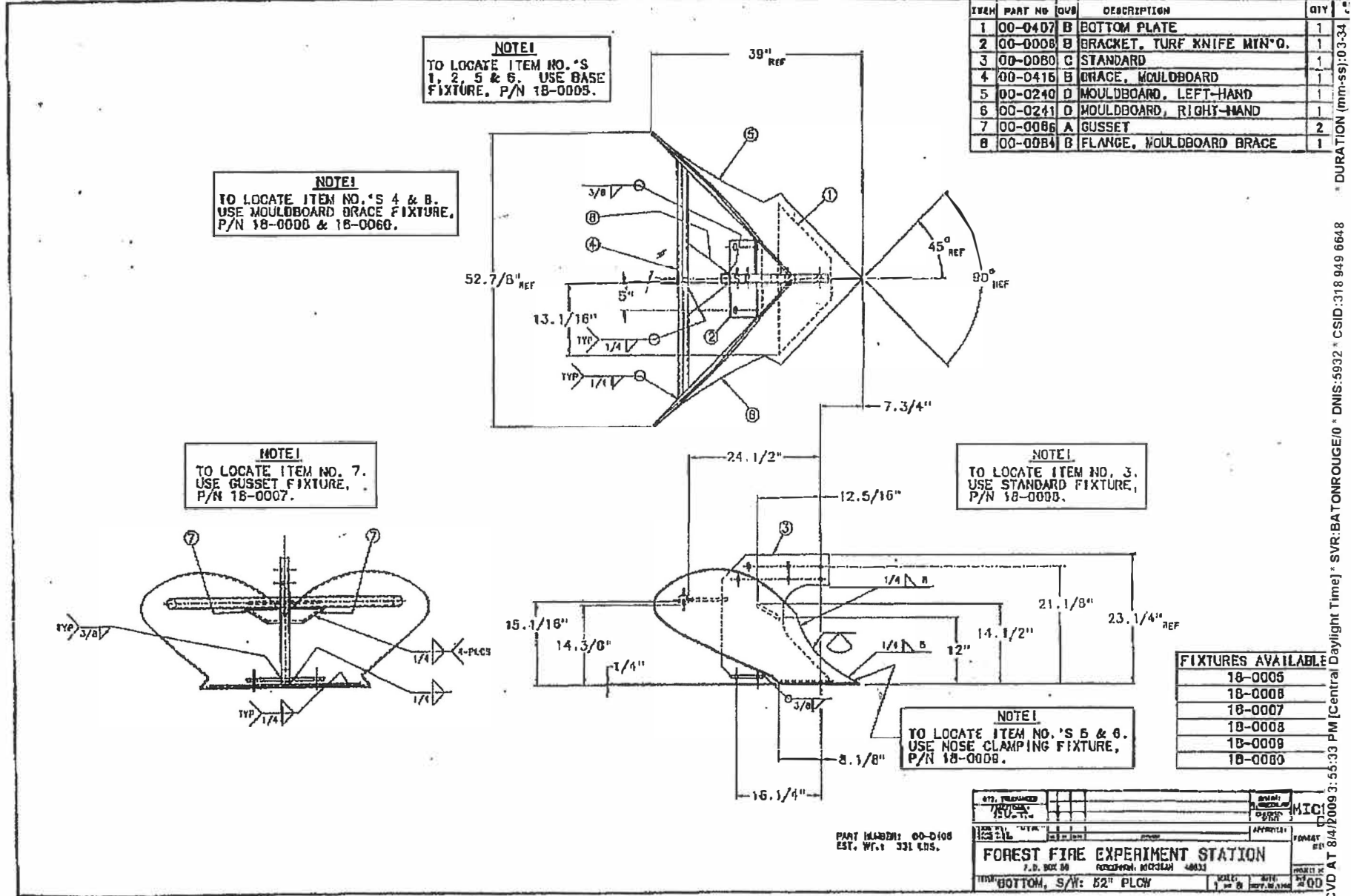


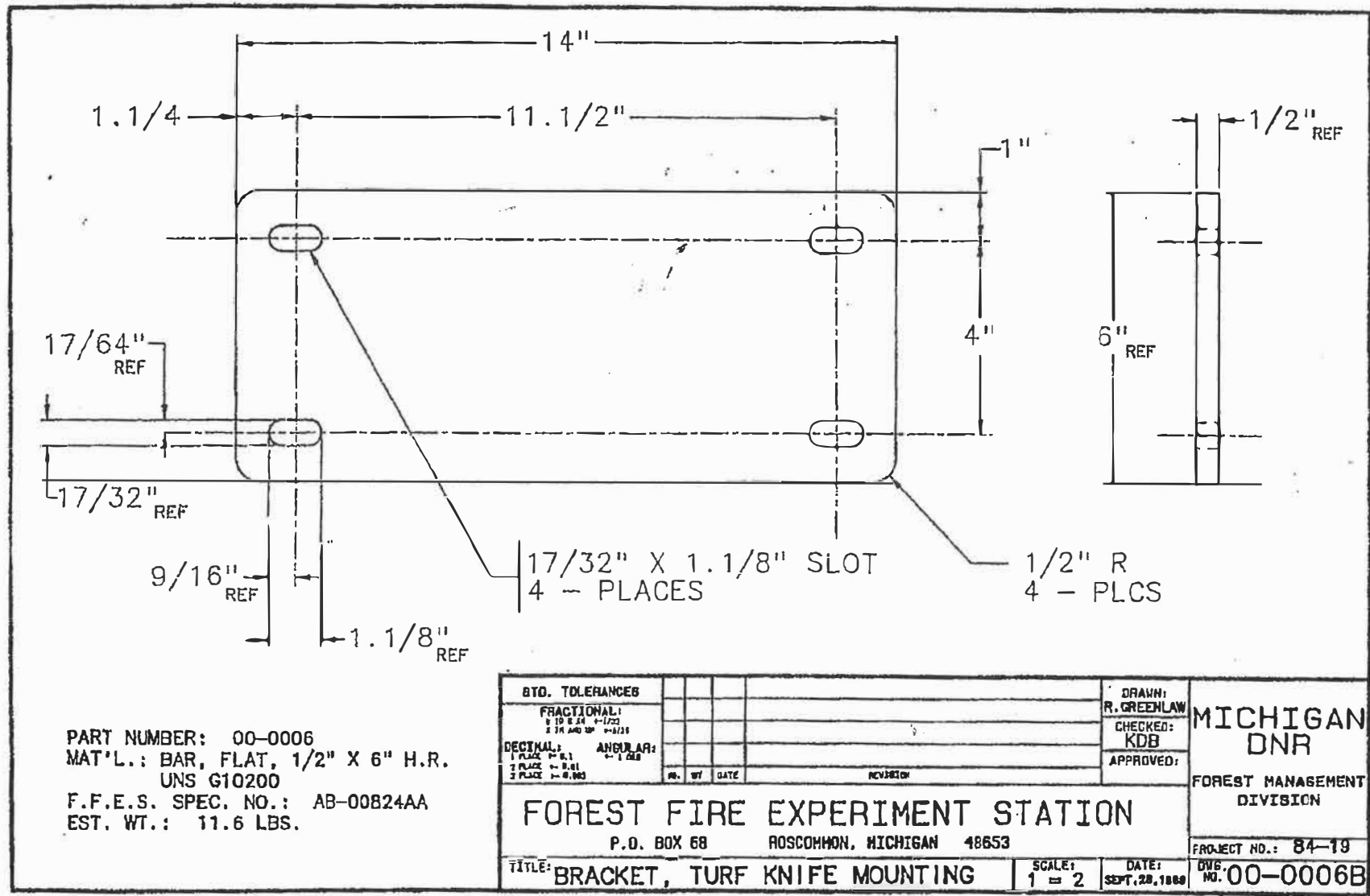
ITEM	PART NO	QTY	EST WT
1	00-0005 C	1	141

NOTE:
USE DRILLING
TEMPLATE P/N
18-0030.

PART NUMBER: 00-0080
EST. WT.: 140 LBS.

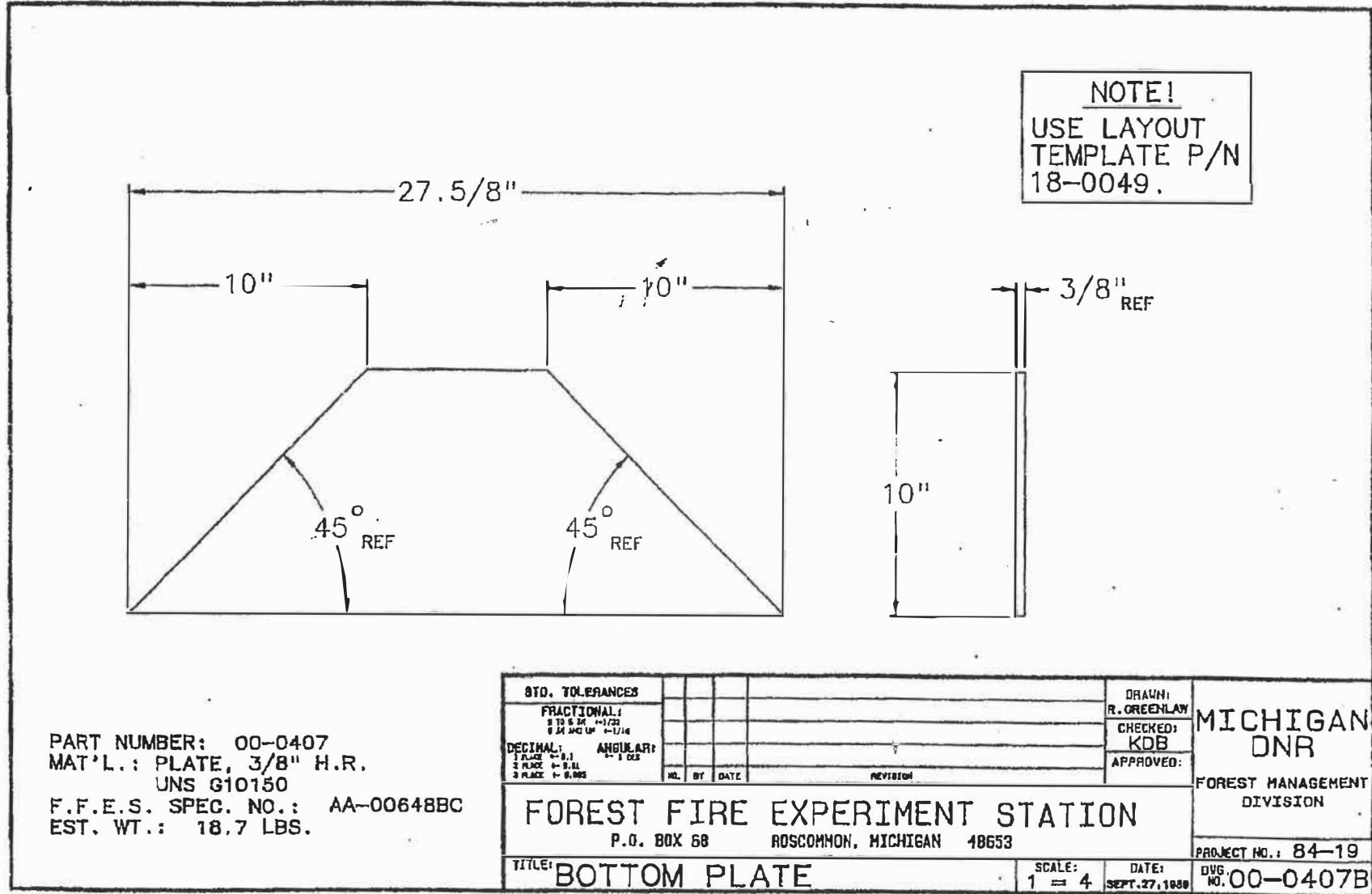
STO. TOLERANCES DECIMALS FRACTIONS ANGLES HOLE DIA. TAP DIA. TAP PITCH TAP PITCH TAP PITCH	DRAWN: R. WOODMAN CHECKED: KOB APPROVED:	MICHIGAN DNR FOREST MANAGEMENT DIVISION PROJECT NO.: 84-19
FOREST FIRE EXPERIMENT STATION P.O. BOX 68 ROSCONTON, MICHIGAN 49633		TITLE: STANDARD: 52" FIRELINE PLOW
SCALE: 1" = 4'	DATE: SEPTEMBER, 1999	DRAWING NO.: 00-0080C





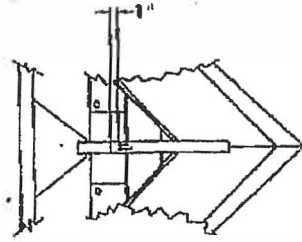
PART NUMBER: 00-0006
 MAT'L.: BAR, FLAT, 1/2" X 6" H.R.
 UNS G10200
 F.F.E.S. SPEC. NO.: AB-00824AA
 EST. WT.: 11.6 LBS.

STD. TOLERANCES		DRAWN: R. GREENLAW		MICHIGAN DNR
FRACTIONAL: ± 1/16 AND UP ± 1/32		CHECKED: KDB		
DECIMAL: 1 PLACE ± 0.1 2 PLACE ± 0.01 3 PLACE ± 0.005		APPROVED:		
ANGULAR: ± 1/2°		NO. BY DATE		FOREST MANAGEMENT DIVISION
FOREST FIRE EXPERIMENT STATION				PROJECT NO.: 84-19
P.O. BOX 68 ROSCOMMON, MICHIGAN 48653				DWG. NO. 00-0006B
TITLE: BRACKET, TURF KNIFE MOUNTING		SCALE: 1 = 2	DATE: SEPT, 28, 1969	



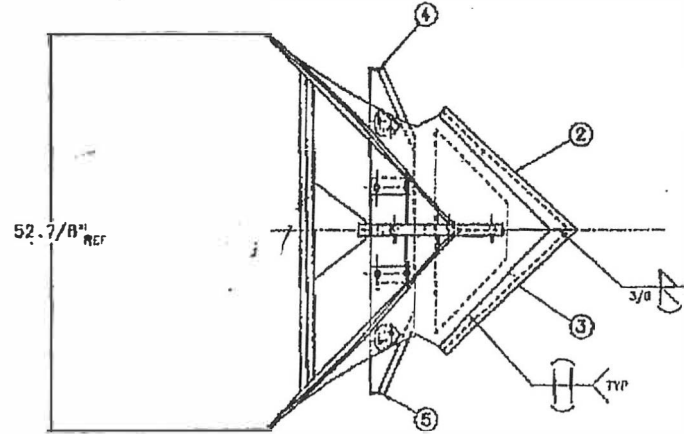
PART NUMBER: 00-0407
 MAT'L.: PLATE, 3/8" H.R.
 UNS G10150
 F.F.E.S. SPEC. NO.: AA-00648BC
 EST. WT.: 18.7 LBS.

STD. TOLERANCES		DRAWN: R. GREENLAW		MICHIGAN DNR FOREST MANAGEMENT DIVISION
FRACTIONAL: 8 TO 6 DEC --1/32 9 TO 16 DEC --1/16		CHECKED: KDB		
DECIMAL: 1 PLACE --0.1 2 PLACE --0.01 3 PLACE --0.005		APPROVED:		
ANGULAR: 1 DEG --1/16 1/2 DEG --1/32		NO. BY DATE		REVISION
FOREST FIRE EXPERIMENT STATION P.O. BOX 68 ROSCOMMON, MICHIGAN 48653				PROJECT NO.: 84-19
TITLE: BOTTOM PLATE		SCALE: 1 = 4	DATE: SEPT. 27, 1999	DWG. NO. 00-0407B

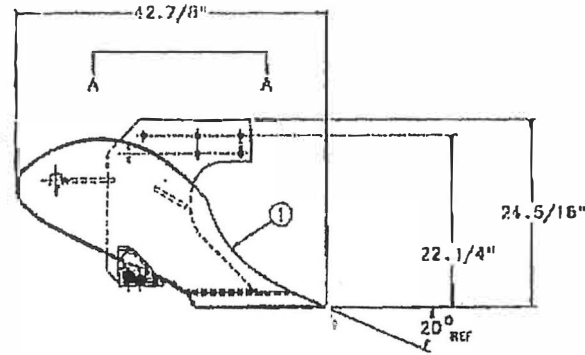
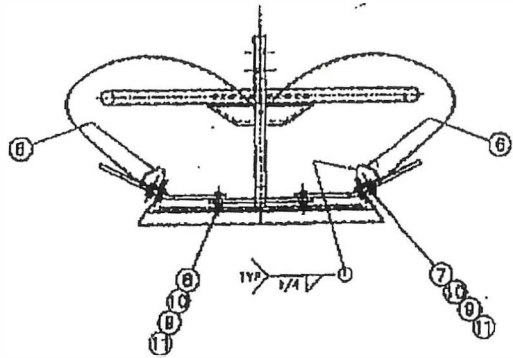


VIEW " A - A "

STAMP TOP EDGE OF PLOW STANDARD,
USING 3/16" HIGH METAL STAMPS,
PART NO. (20-0007) & DATE OF
MANUFACTURE.



NOTE!
TO LOCATE ITEM NO. 6,
BOLT IN PLACE ON TURF
KNIFE MOUNT TURF KNIFE,
THEN WELD TO REAR SURFACE
OF MOULDBOARD.



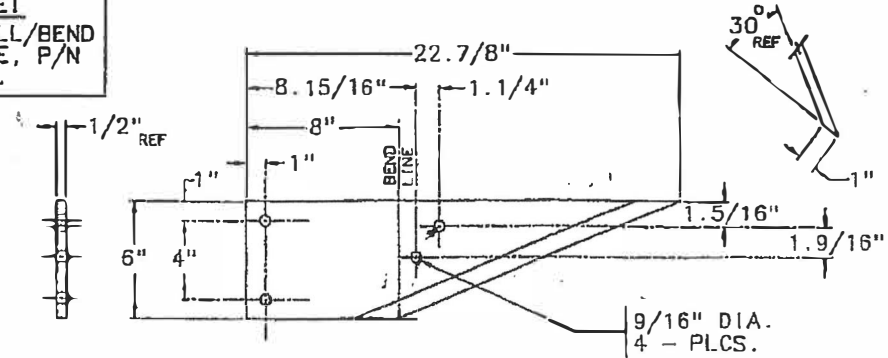
ITEM	PART NO	QTY	DESCRIPTION	BY	DATE
1	00-0408	D	BOTTOM, S/W: 52" PLOW		3/2
2	00-0418	B	SHARE, LEFT - HAND		4.54
3	00-0419	B	SHARE, RIGHT - HAND		4.
4	20-0008	B	KNIFE, TURF, LEFT - HAND		9.
6	20-0009	B	KNIFE, TURF, RIGHT - HAND		8.
8	00-0408	B	ANGLE, TURF KNIFE MOUNTING		2
7	TS-08012		CAPSCREW, 1/2" x 1/4" PLATED		4
8	TS-08014		CAPSCREW, 3/8" x 1/4" PLATED		4
9	WS08-BC		WASHER, LOCK		8
10	WS08-BA		WASHER, FLAT		8
11	TS-0801		NUT, HEX, 1/2" x 1/4" PLATED		8

NOTE!
TO LOCATE ITEM NO.'S 2 & 3,
USE SHARE LOCATING TABS,
P/N 18-0052.

PART NUMBER: 20-0007
EST. WT.: 300 LBS.

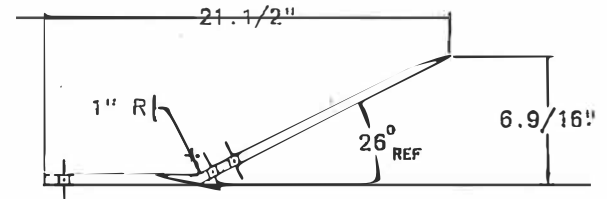
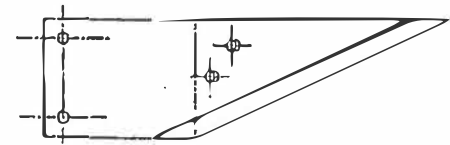
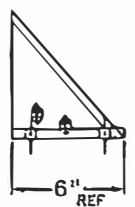
DATE	REVISED	BY	CHKD	APPROVED
11/11/08	1			
FOREST FIRE EXPERIMENT STATION P.O. BOX 10 RESEARCH, DUNDIGM 10033				
ITEM: BOTTOM, 52" PLOW			PART NO: 20-0007	

NOTE 1
USE DRILL/BEND
TEMPLATE, P/N
18-0031.



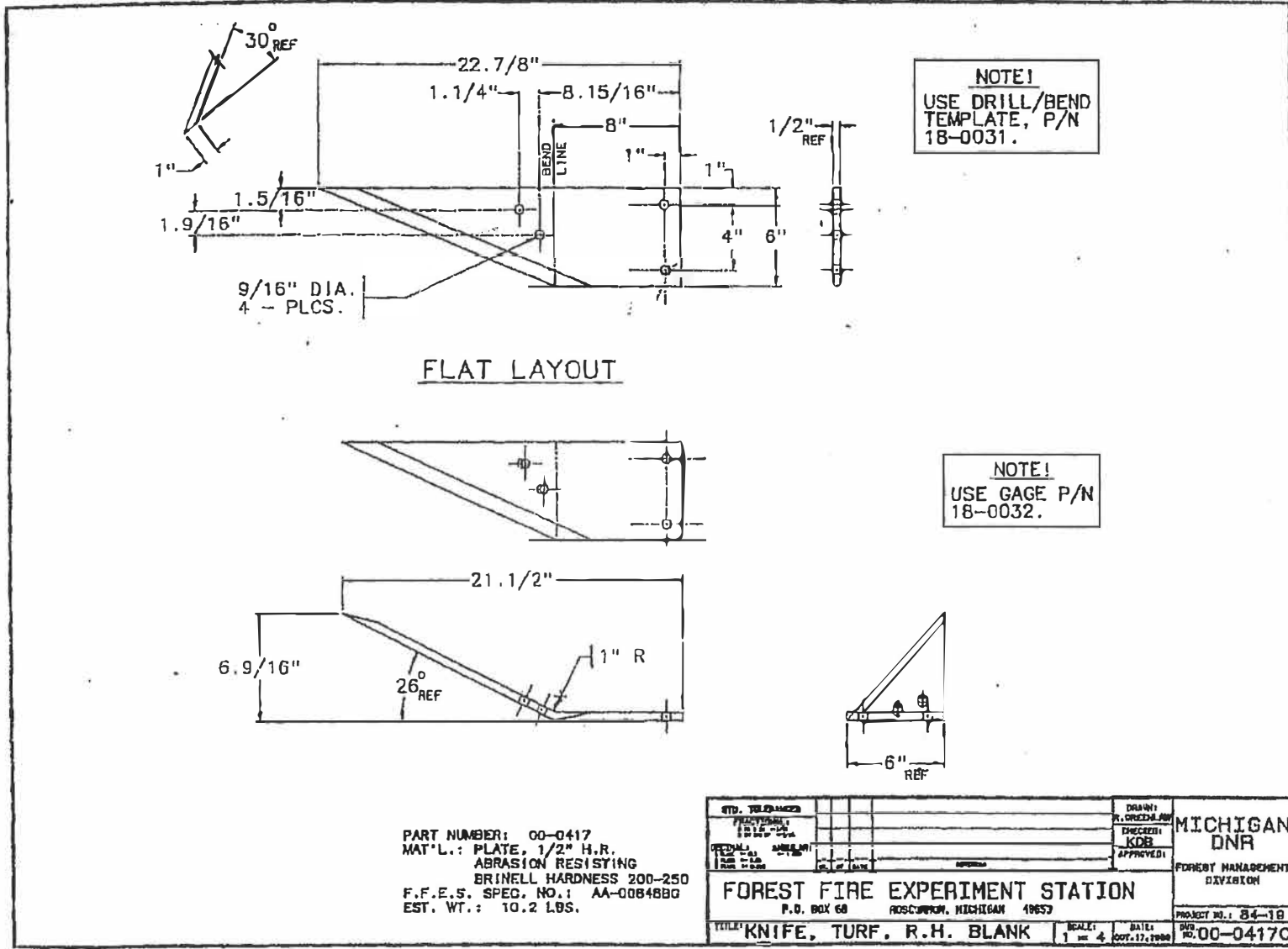
FLAT LAYOUT

NOTE 1
USE GAGE P/N
18-0032.

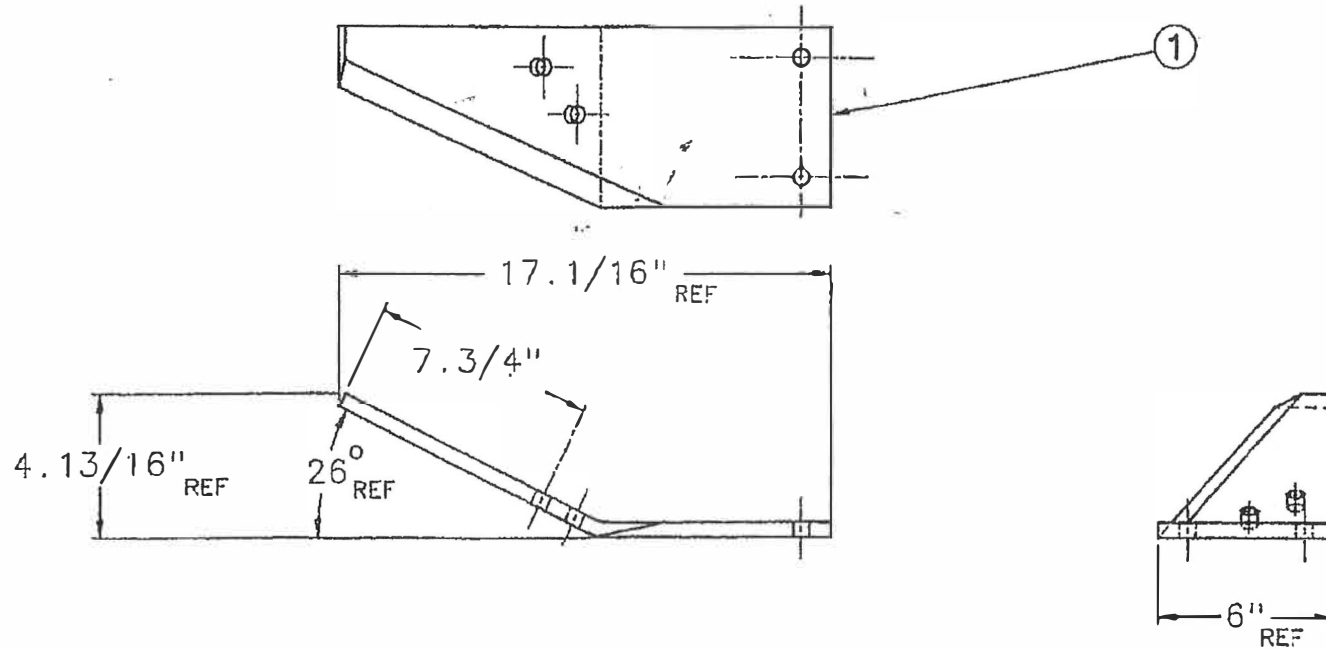


PART NUMBER: 00-0418
MAT'L.: PLATE, 1/2" H.R.
ABRASION RESISTING
BRINELL HARDNESS 200-250
F.F.E.S. SPEC. NO.: AA-0084880
EST. WT.: 10.2 LBS.

REQ. TO GRANGE FUNCTIONAL DESIGNED BY CHECKED BY DATE APPROVED BY	DRAWN R. GREENLAND CHECKED KOB APPROVED	MICHIGAN DNR FOREST MANAGEMENT DIVISION PROJECT NO.: 04-19 DWG. NO.: 00-0416C
FOREST FIRE EXPERIMENT STATION P.O. BOX 68 ROSANDEN, MICHIGAN 48853		TITLE: KNIFE, TURF, L.H. BLANK SCALE: 1 = 4 DATE: OCT. 17, 1988



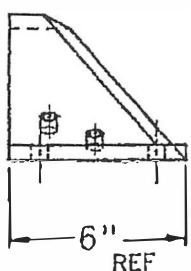
ITEM	PART NO	DWG	DESCRIPTION	QTY	EST WT
1	00-0417	C	KNIFE, TURF, R.H. BLANK	1	10.2



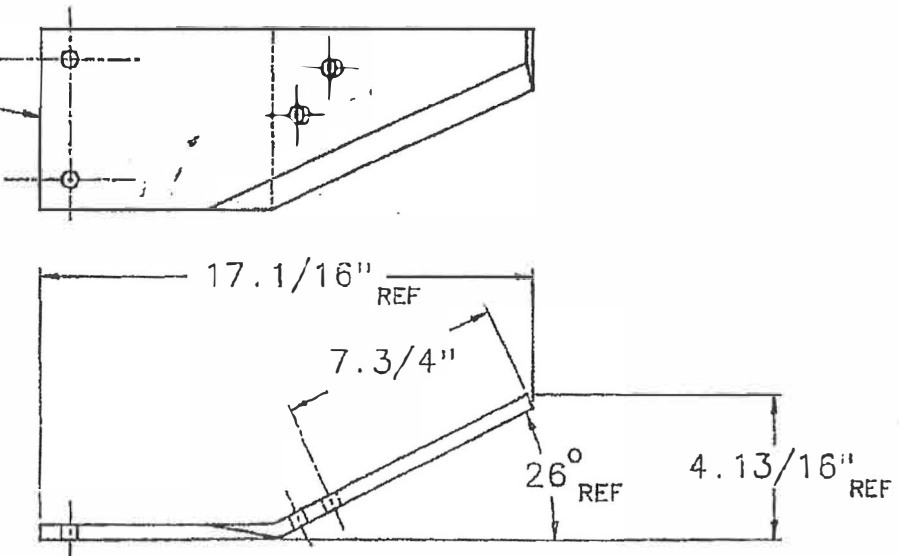
PART NUMBER: 20-0009
EST. WT.: 9.76 LBS.

STD. TOLERANCES FRACTIONAL: 3 TO 8 TH ±.0125 6 TH AND UP ±.010 DECIMAL: 1 PLACE ±.01 2 PLACE ±.005 3 PLACE ±.0005 ANGULAR: ±.1 DEG		DRAWN: R. GREENLAN CHECKED: KDB APPROVED:	MICHIGAN DNR FOREST MANAGEMENT DIVISION PROJECT NO.: 84-19
TITLE: FOREST FIRE EXPERIMENT STATION P.O. BOX 68 ROSCOMMON, MICHIGAN 48653		SCALE: 1 = 4 DATE: OCT. 17, 1999	
FOREST FIRE EXPERIMENT STATION P.O. BOX 68 ROSCOMMON, MICHIGAN 48653			DWG NO.: 20-0009B

ITEM	PART NO	DWG	DESCRIPTION	QTY	EST WT
1	00-0416	C	KNIFE, TURF, L.H. BLANK	1	10.2



6" REF



PART NUMBER: 20-0008
EST. WT.: 9.76 LBS.

STD. TOLERANCES	DRAWN: R. GREENLAW
FRACTIONAL: 6 TO 8 IN - 1/32 8 TO 16 IN - 1/16	CHECKED: KDB
DECIMAL: 1 PLACE - 0.1 2 PLACE - 0.01 3 PLACE - 0.005	APPROVED:
ANGULAR: - 1.00	
REV. BY DATE	REVISION

FOREST FIRE EXPERIMENT STATION
P.O. BOX 68 ROSCOMMON, MICHIGAN 48653

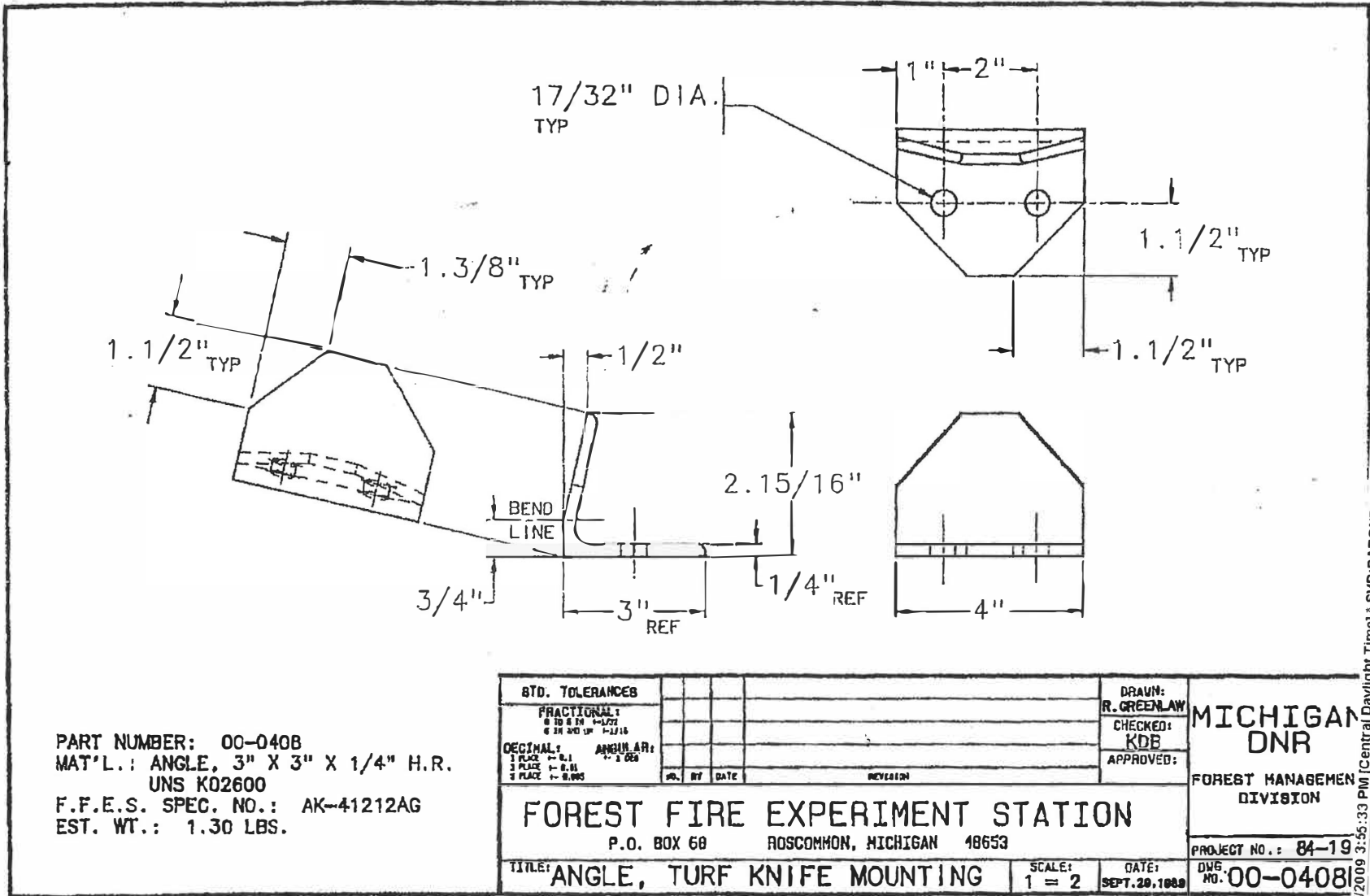
MICHIGAN DNR
FOREST MANAGEMENT DIVISION

TITLE: KNIFE, TURF: L.H.

SCALE: 1 = 4

DATE: OCT. 17, 1989

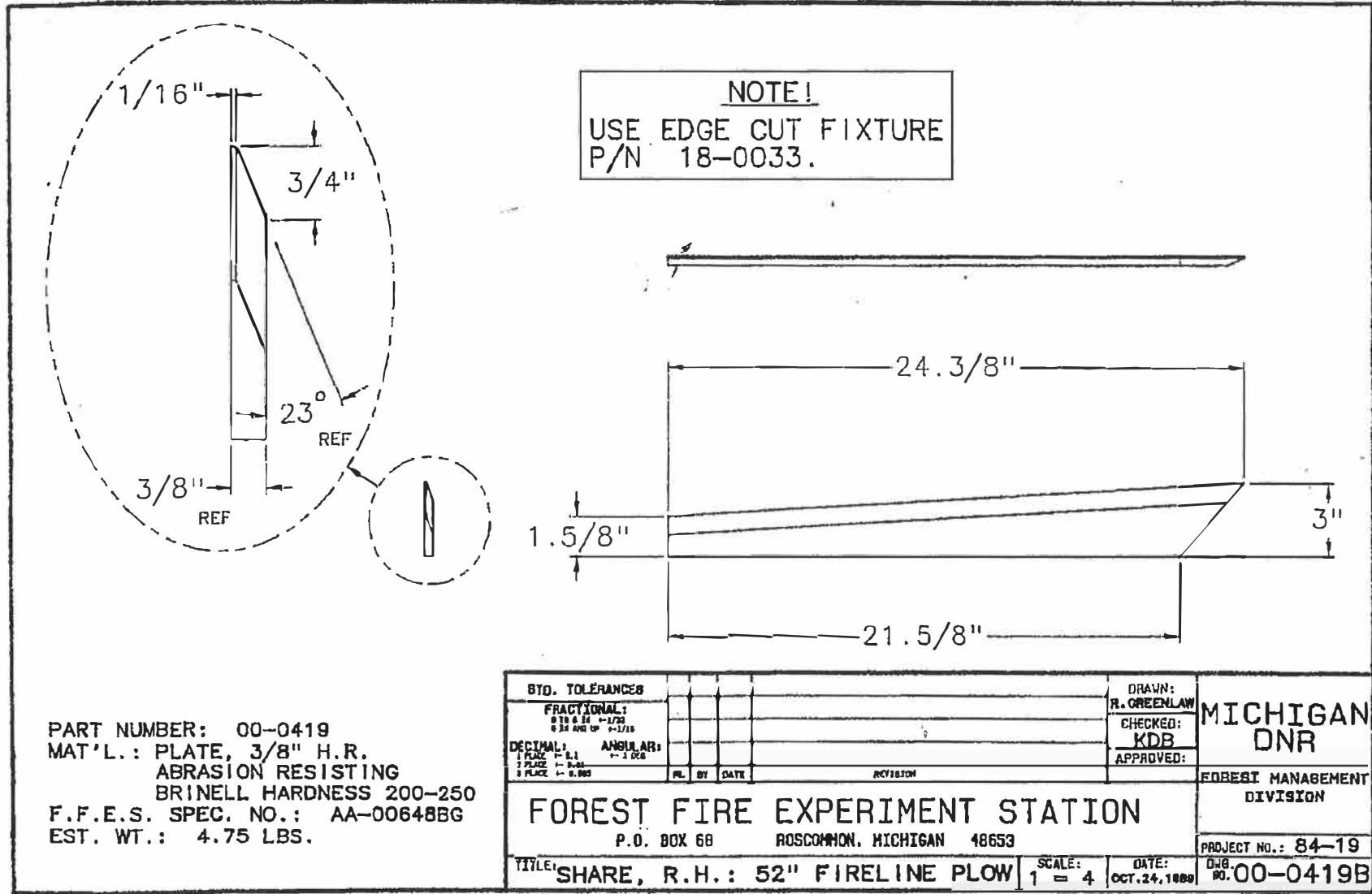
DWG. NO. 20-0008B



PART NUMBER: 00-0408
 MAT'L.: ANGLE, 3" X 3" X 1/4" H.R.
 UNS K02600
 F.F.E.S. SPEC. NO.: AK-41212AG
 EST. WT.: 1.30 LBS.

STD. TOLERANCES		DRAWN: R. GREENLAW	
FRACTIONAL: 0 TO 4 IN. ±.002 5 TO 16 IN. ±.003		CHECKED: KDE	
DECIMAL: 1 PLACE ±.01 2 PLACE ±.005 3 PLACE ±.0005		APPROVED:	
ANGULAR: 1° TO 90° ±.005		NO. BY DATE REVISION	
FOREST FIRE EXPERIMENT STATION			
P.O. BOX 60 ROSCOMMON, MICHIGAN 48653			
TITLE: ANGLE, TURF KNIFE MOUNTING		SCALE: 1 = 2	DATE: SEPT. 29, 1989
		PROJECT NO.: 84-19	
		DWG. NO. 00-0408	

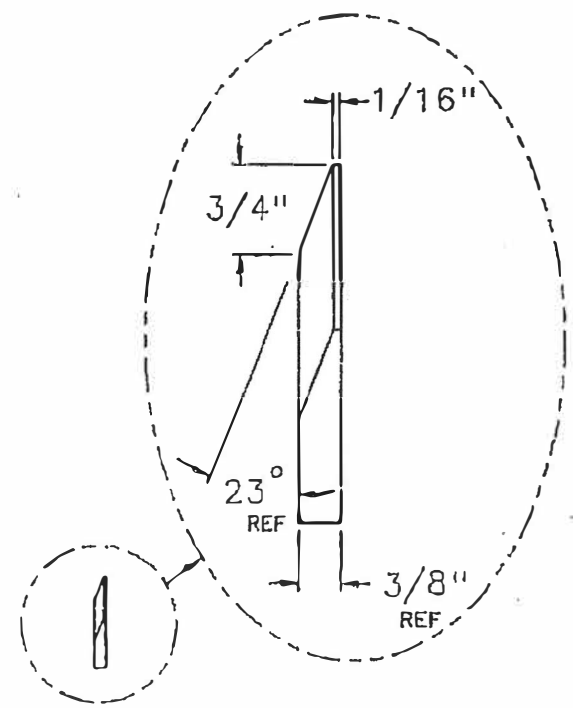
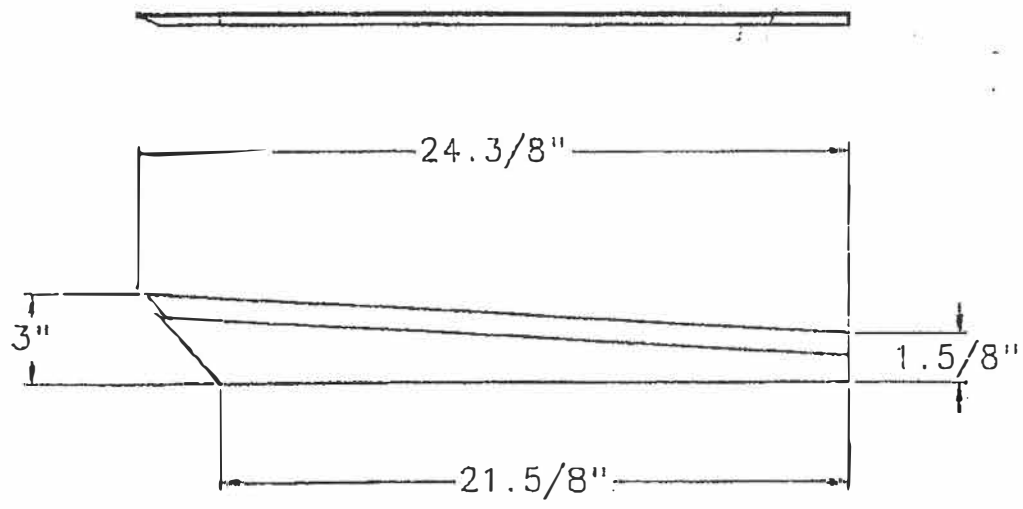
PAGE 11/18 * RCVD AT 8/4/2009 3:56:33 PM [Central Daylight Time] * SVR:BATONROUGE/0 * DNIS:5932 * CSID:318 949 6648 * DURATION (mm:ss):03:34



Aug-04-2009 03:53 PM LCAF 318-949-6648
 01/06/94 13:50
 504 922 1356
 OFF. OF FORESTRY
 13718
 012

Callings edge

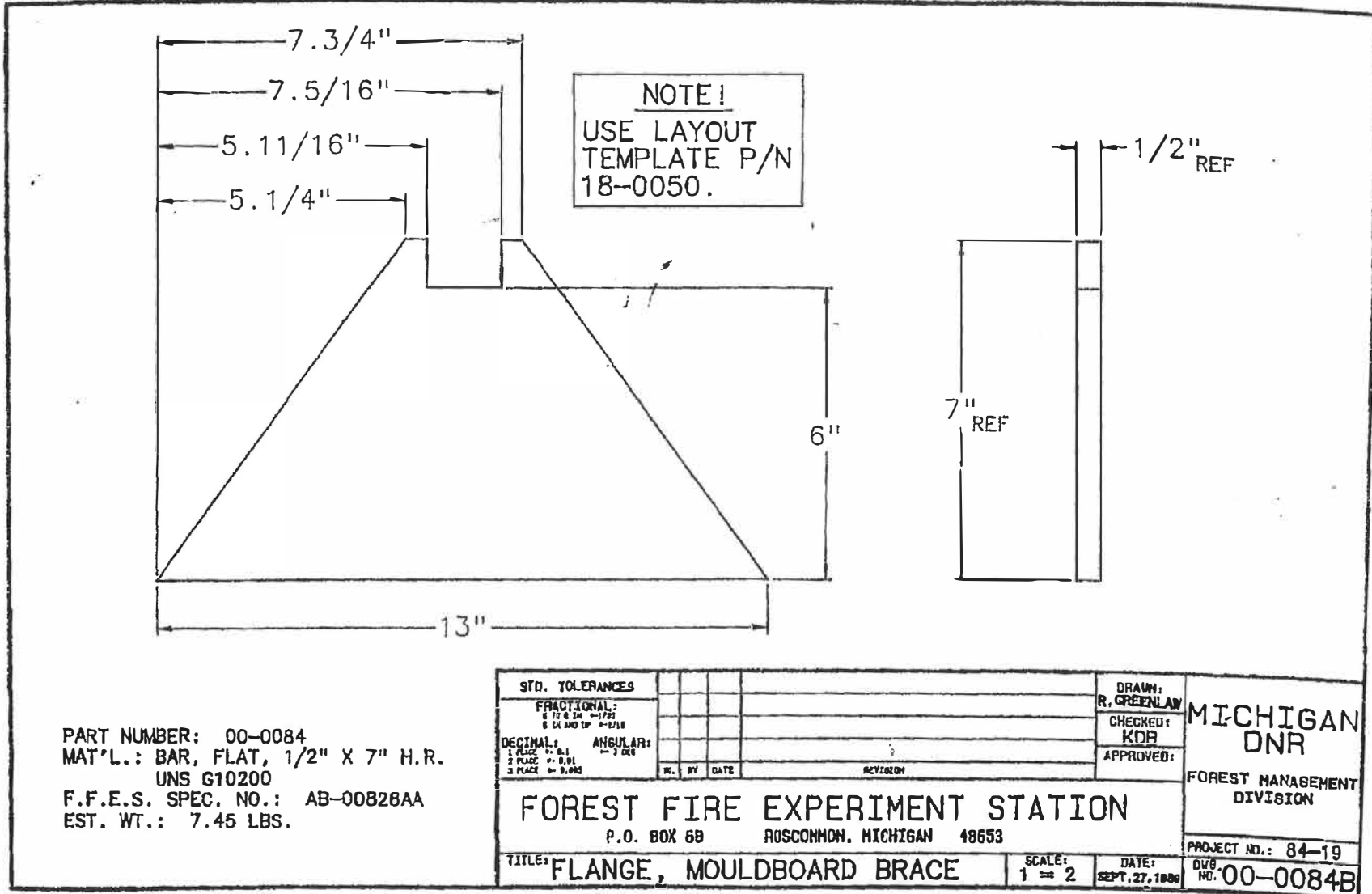
NOTE!
 USE EDGE CUT FIXTURE
 P/N 18-0033.



PART NUMBER: 00-0418
 MAT'L.: PLATE, 3/8" H.R.
 ABRASION RESISTING
 BRINELL HARDNESS 200-250
 F.F.E.S. SPEC. NO.: AA-00648BG
 EST. WT.: 4.75 LBS.

STD. TOLERANCES		DRAWN: R. GREENLAW		MICHIGAN DNR FOREST MANAGEMENT DIVISION
FRACTIONAL: 0 TO 0.015 ±0.005 0.016 AND UP ±0.010		CHECKED: KDB		
DECIMAL: 0.015 ±0.005 0.016 ±0.010 0.016 ±0.015		APPROVED:		
FOREST FIRE EXPERIMENT STATION P.O. BOX 68 ROSCOMMON, MICHIGAN 48653				PROJECT NO.: 84-19
TITLE: SHARE, L.H.: 52" FIRELINE PLOW		SCALE: 1 = 4	DATE: OCT. 24, 1988	DWG. NO. 00-0418B

PAGE 13118 * RCVD AT 8/4/2009 3:55:33 PM [Central Daylight Time] * SVR:BATONROUGE0 * DNIS:5932 * CSID:318 949 6648 * DURATION (mm-ss):03-34



PART NUMBER: 00-0084
 MAT'L.: BAR, FLAT, 1/2" X 7" H.R.
 UNS G10200
 F.F.E.S. SPEC. NO.: AB-00828AA
 EST. WT.: 7.45 LBS.

STD. TOLERANCES		DRAWN: R. GREENLAW	
FRACTIONAL: 1 TO 6 24 ±.002 6 TO 120 1/16 ±.003		CHECKED: KDB	
DECIMAL: 1 PLACE ±.01 2 PLACE ±.005 3 PLACE ±.002		APPROVED:	
ANGULAR: ±.010		MICHIGAN DNR	
REV.	BY	DATE	FOREST MANAGEMENT DIVISION
FOREST FIRE EXPERIMENT STATION			
P.O. BOX 68 ROSCOMMON, MICHIGAN 48653			
TITLE: FLANGE, MOULDBOARD BRACE		SCALE: 1 = 2	PROJECT NO.: 84-19
		DATE: SEPT. 27, 1986	DWG. NO. 00-0084B

