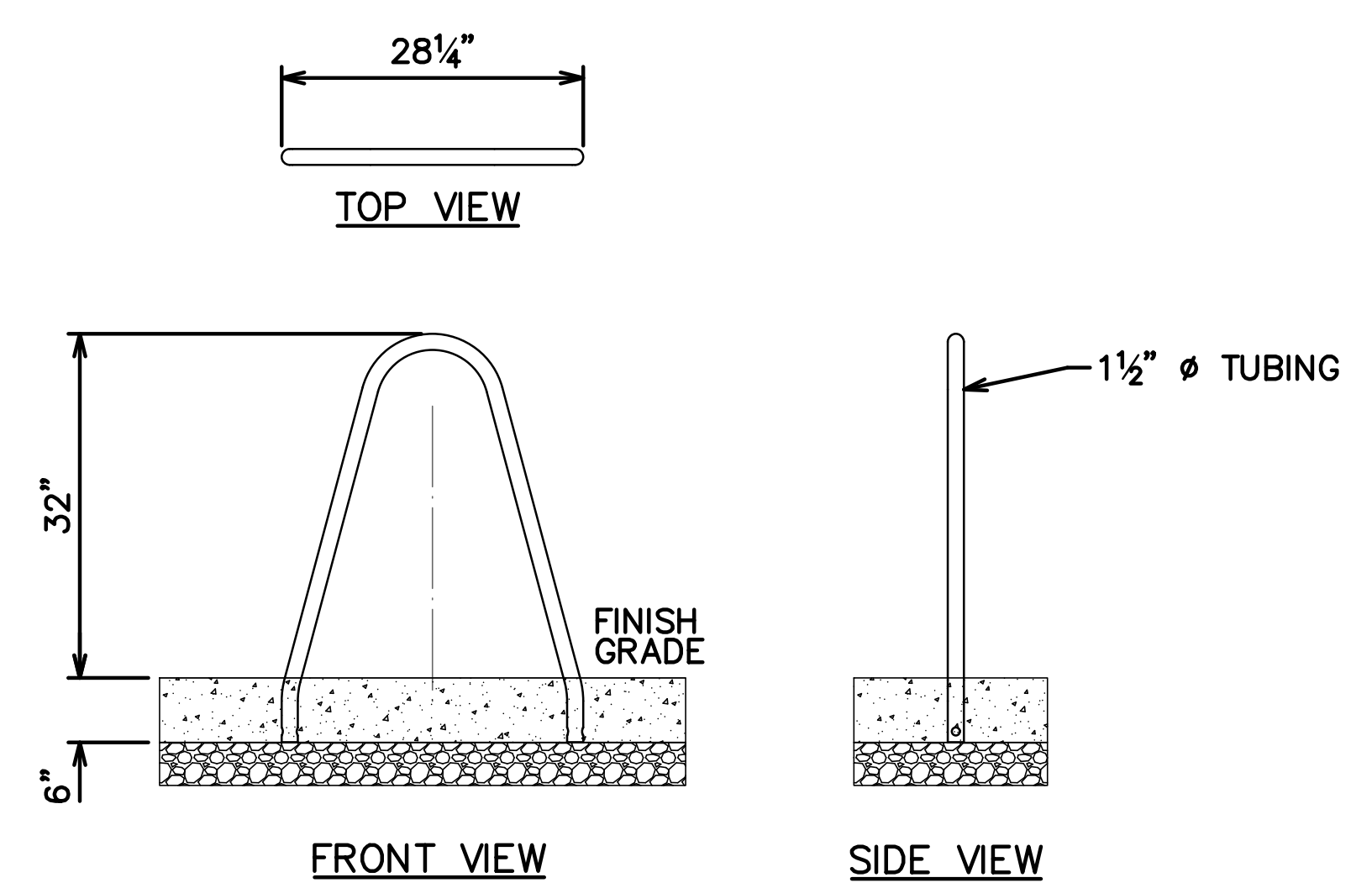
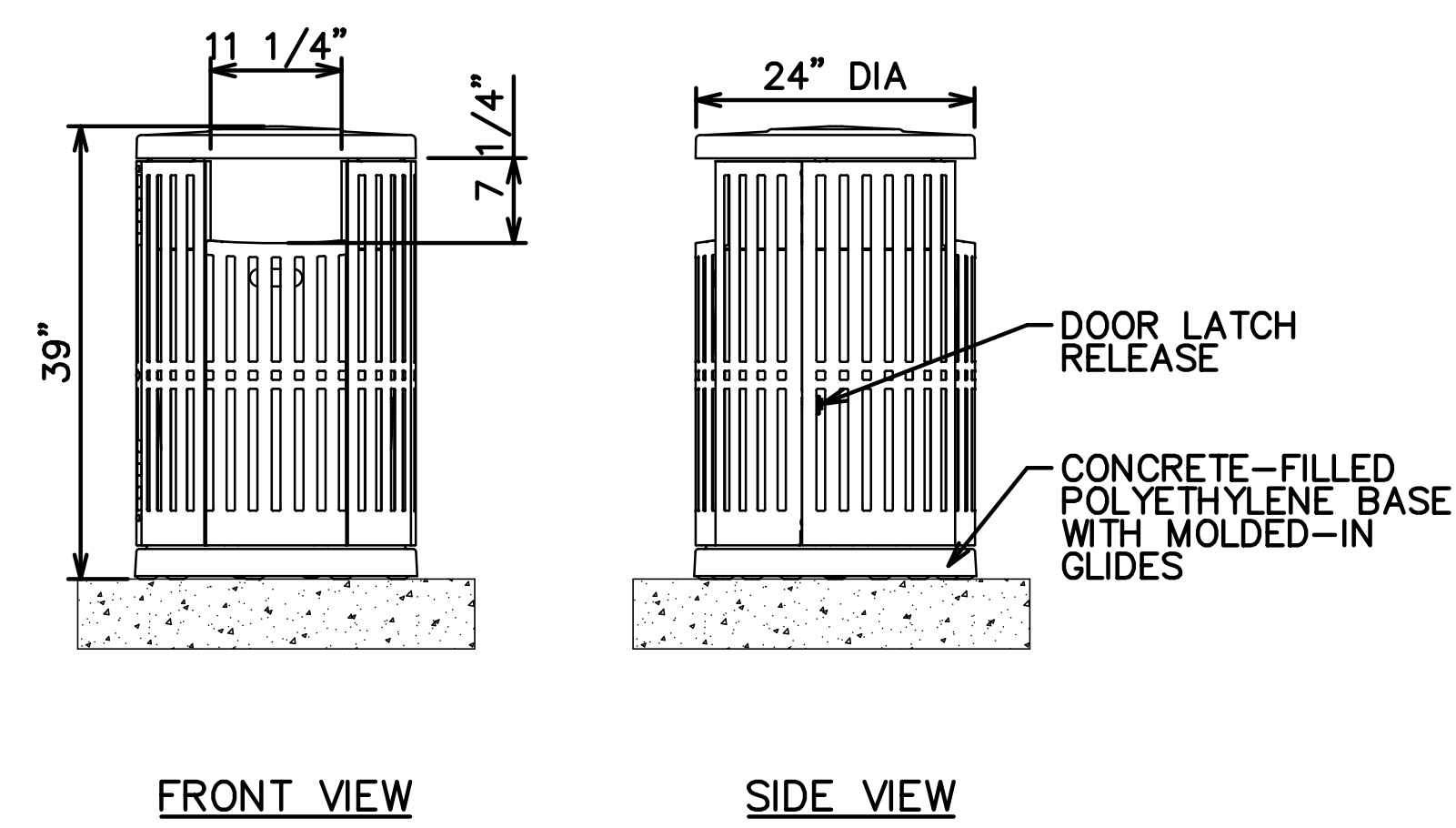


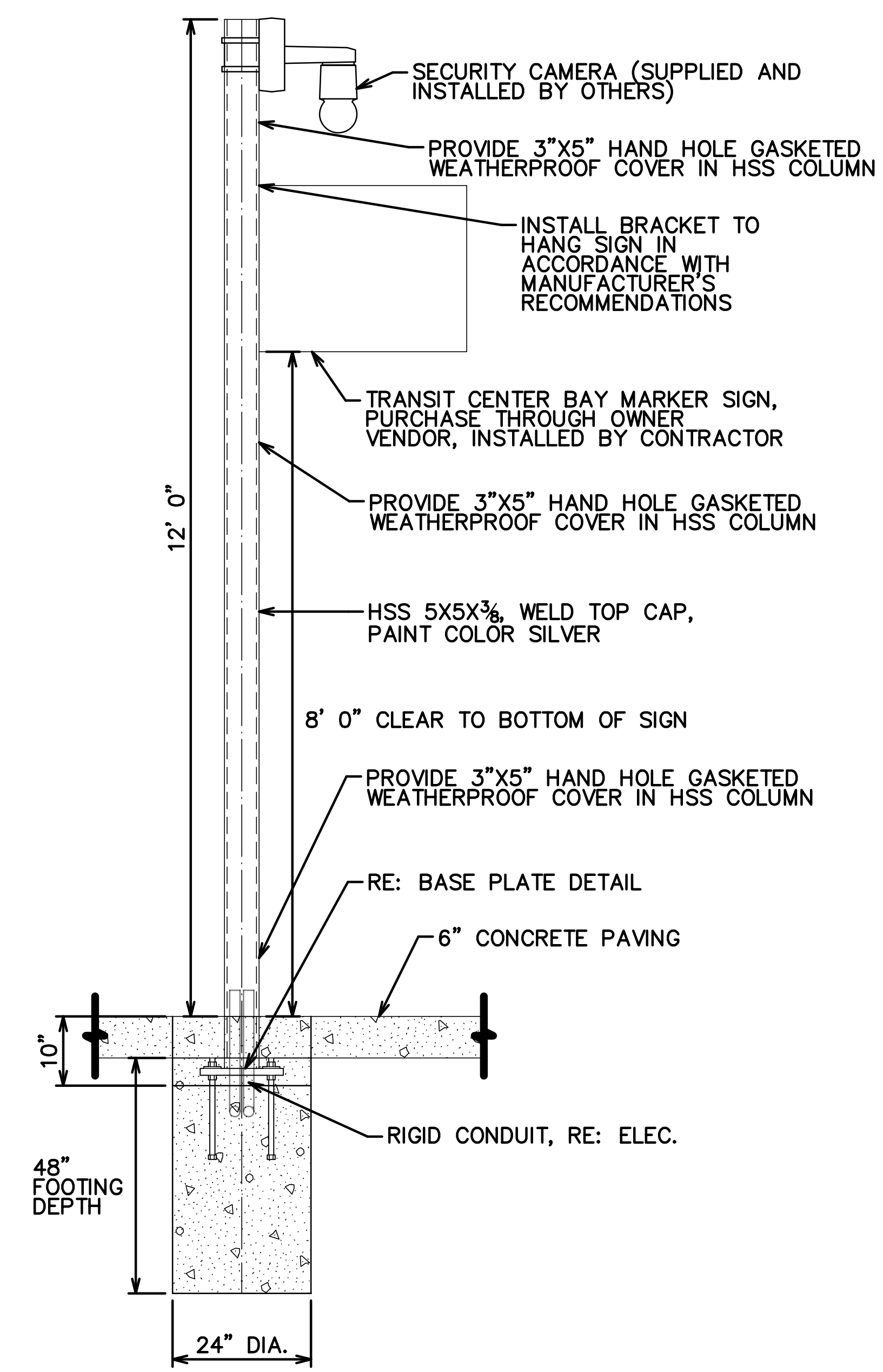
SHEET NUMBER	P008
PARISH	EAST BATON ROUGE PARISH
CITY PROJECT	16-CI-US-0032
STATE PROJECT	
DESIGNED	JMW/MEA
CHECKED	AJC
DATE	5/5/2023
DESIGNED	
CHECKED	
DATE	
NO.	
BY	
REVISION DESCRIPTION	



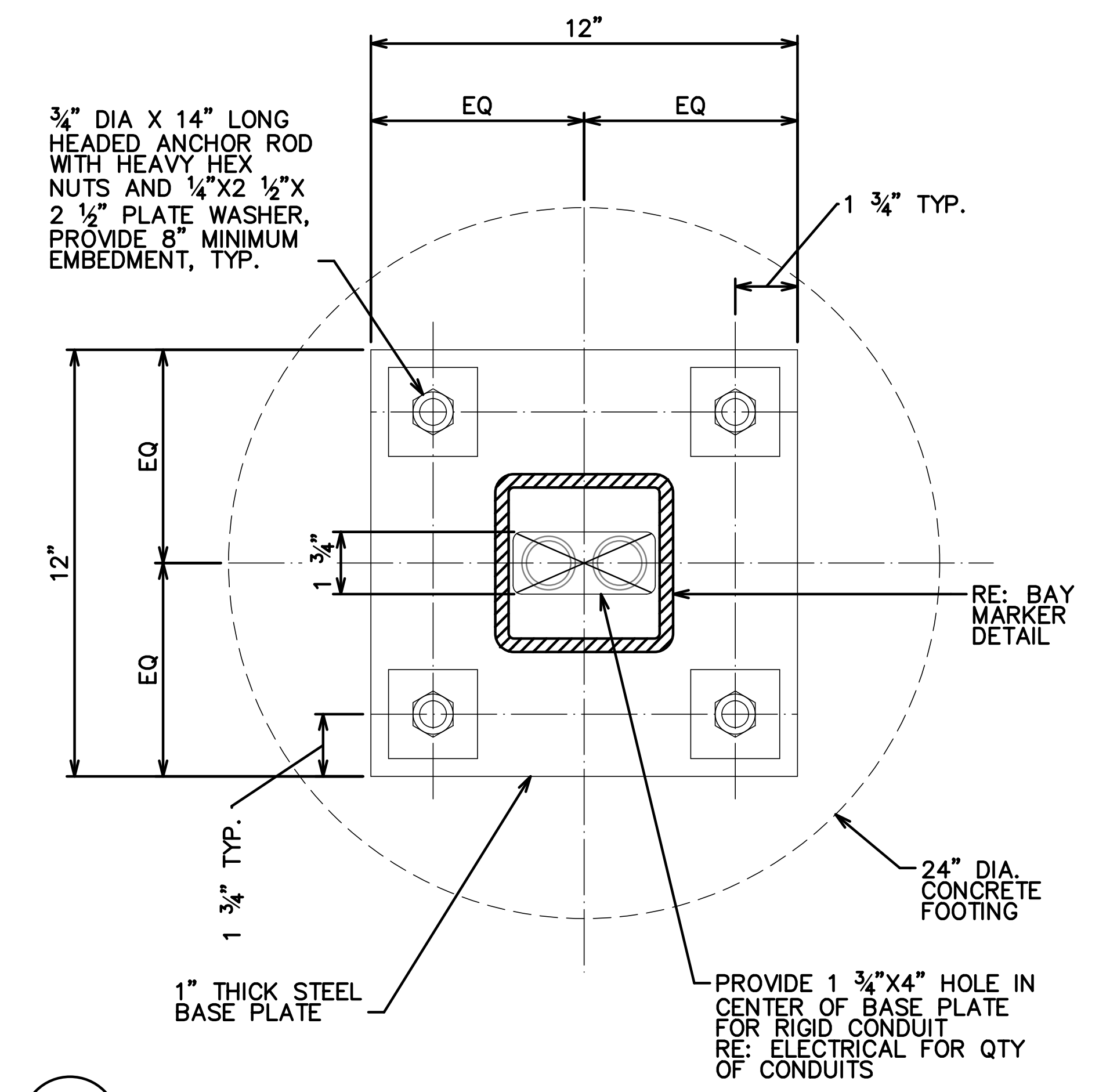
1 TYP. BICYCLE RACK
NOT TO SCALE



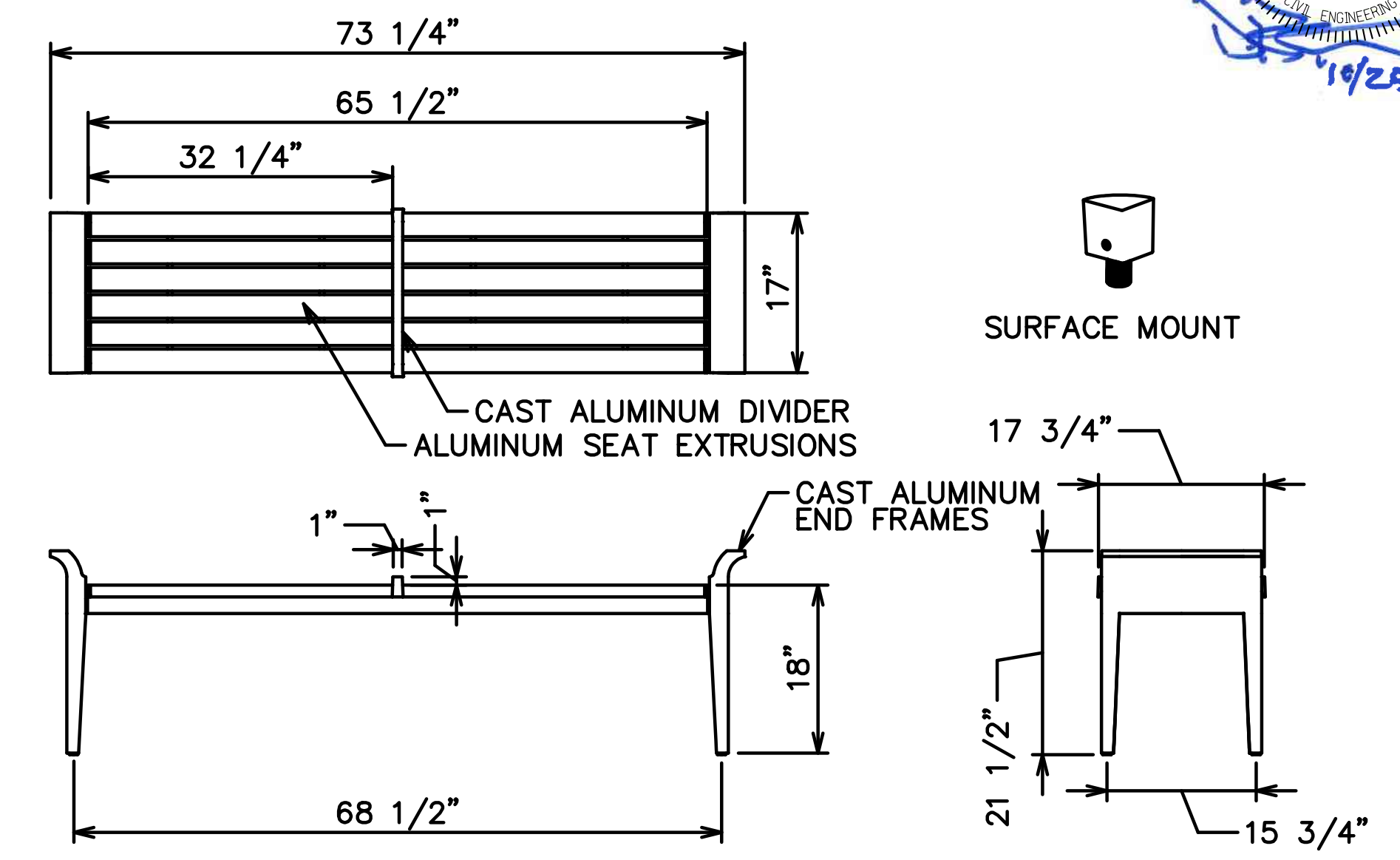
2 TYP. LITTER RECEPTACLE
NOT TO SCALE



3 BAY MARKER DETAIL
NOT TO SCALE



4 BAY MARKER BASE PLATE DETAIL
NOT TO SCALE



6 TYP. BENCH
NOT TO SCALE

SYMBOL	QTY.	ITEM	BASIS OF DESIGN SUPPLIER	DESCRIPTION / MODEL
	8	LITTER RECEPTACLE	ITEM	CHASE PARK, 24IN. DIA/ 36 GALLON SIDE OPENING. FINISH: SILVER, SURFACE MOUNT
	8	BENCH	LANDSCAPE FORMS, INC. -OR- CUSTOM	MELVILLE, 72" BACKLESS, ONE DIVIDER, ALUMINUM SLATS, FINISH: SILVER, SURFACE MOUNT
	6	BICYCLE RACK	LANDSCAPE FORMS, INC. -OR- CUSTOM	BOLA, STAINLESS STEEL, EMBEDDED MOUNT
	8	BAY MARKER	CUSTOM	CUSTOM MARKER WITH SIGN ATTACHMENT, PURCHASE SIGN FROM OWNER VENDOR

NOTE: ALL FURNISHINGS SHALL BE INSTALLED PER MANUF. INSTRUCTIONS

5 FURNISHINGS SCHEDULE

PLATFORM SITE FURNISHING DETAILS
NORTH TRANSIT CENTER

