

STATE OF LOUISIANA
DEPARTMENT OF PUBLIC SAFETY
TECHNICAL SPECIFICATIONS FOR

TRUCK, CAB & CHASSIS, 25,500# GVWR, WITH VAN BODY & LIFTGATE

SERIES NO. 170-000

REV. 1/11/2024

EQUIPMENT SPECIFICATION 170-000H

GENERAL

This specification sets forth the minimum requirements for a single axle class 6 truck cab and chassis up-fitted with a dry van body and liftgate.

Equipment shall be new, a production model of current manufacture, and must meet all state and Federal safety and emission standards in effect at time of order.

REPRESENTATIVE SPECIFICATIONS

A Freightliner M2-106 truck and a Lyncoach dry freight body with appropriate options and standard features, was used to develop these specifications and establish equivalency evaluation criteria.

Equipment of similar style, type, character, quality, features, and purpose conforming to the following detailed requirements/specifications will be considered. For evaluation purposes, bidder's proposing an exception/equivalent option/feature to those specified herein, may be required to provide manufacturer/product information (catalogue sheets, detailed specifications, pictures, etc.). This information will be evaluated against the minimum requirements of this specification. Proposed submittals that are determined not to be equivalent to the established criteria will be rejected.

LOUISIANA AUTHORIZED DEALER(S)

Proposed item(s) must be from a manufacturer who has at least one (1) authorized dealer **within the State of Louisiana** where parts and service can be obtained. Authorized dealer(s) must have properly trained technicians plus all other resources necessary to perform warranty and repair services in complete accordance with the manufacturer's requirements. A letter certifying the ability to meet this requirement, inclusive of the company name(s) and address(es) of the Louisiana authorized dealer(s), should be supplied with the bid submittal and may be required prior to award.

DELIVERY & ACCEPTANCE

Vendor shall perform a test run of each unit to verify that all features and capabilities are operating properly at time of delivery. Documentation of testing may be required prior to acceptance by the Department.

Unit(s) must be delivered completely assembled (including all components, accessories, etc.) and ready for operation without any additional preparation including, but not limited to, ensuring all fluid levels are at their full mark, fuel tank(s) is full, all necessary lubrication has been performed, etc. A Louisiana safety inspection shall be performed on each vehicle prior to delivery and a Louisiana safety inspection sticker properly affixed.

Any unit delivered under this specification is subject to rejection if there is evidence of poor workmanship, by either the vendor or the original manufacturer. Noted defects and/or nonconformance findings may

be corrected by the vendor. Corrections must be completed and approved by the Equipment Engineer or his representative prior to final acceptance.

Unit(s) shall be delivered "**on the ground**;" DPS will not unload nor provide any unloading equipment to the vendor/delivery driver in order to offload the unit(s).

NOTE: The Department will have space available for equipment to be unloaded.

EACH UNIT MUST BE SUPPLIED WITH THE FOLLOWING DOCUMENTATION:

1. Notarized Bill of Sale
2. Certificate of Origin (MSO)
3. Dealer's Service Policy
4. Owner's/Operator's Manual(s)
 - a. One (1) Hardcopy
 - b. One (1) Digital Copy
 - i. Acceptable Formats: CD, DVD, Flash Drive, or E-mail
5. Service Manual(s)
 - a. One (1) Hardcopy
 - b. One (1) Digital Copy
 - i. Acceptable Formats: CD, DVD, Flash Drive, or E-mail
6. Build Sheet(s) – as applicable
 - a. One (1) Hardcopy
 - b. Build sheets should be writing in plain language (not company specific codes) and include, at a minimum, all standard & optional features of the delivered unit.

NOTE: Invoices will not be processed for payment until the unit(s) have been inspected by the Equipment Superintendent or their representative and deemed in compliance with the specifications.

BID SUBMITTALS

Any additions, deletions, or variations from the specifications should be noted in the "Bidder's Exceptions" page of this specification. Exceptions that are noted to be less than a minimum requirement will not be accepted.

Any additions, deletions or variations from the manufacturer's standard published specifications should be noted on the "Bidder's Exceptions" page of this specification. Unless otherwise noted, any items appearing in the manufacturer's standard published specifications furnished by the Bidder are assumed to be included in the Bidder's submittal.

Bidder should note on their submittal any installation(s) to the equipment that will be performed by the vendor instead of the manufacturer.

Failure to note any specification exceptions, manufacturer specification alterations, and/or vendor installations prior to award may result in rejection of the equipment at the time of delivery.

EQUIPMENT SPECIFICATIONS

NOTICE TO BIDDERS

Bidder should review the detailed "Equipment Specification" completely and respond to the compliance question at the end of each section by marking "X", in the space provided, for "Yes" or "No". Mark "Yes" to indicate that the equipment bid meets the section exactly as specified. Mark "No" if there are exceptions to any part of that section. Exceptions/deviations to any part of the specification are to be detailed on the "Bidder's Exceptions" page of this specification.

IN ORDER TO BE CONSIDERED FOR AWARD, BIDDER SHOULD RETURN THIS SPECIFICATION, COMPLETED IN FULL, WITH THEIR BID SUBMITTAL.

Note: All Values listed below are minimums unless noted otherwise.

1. Cab & Chassis

1.1. GVWR: 25,500 lbs.

Comply: ___Yes ___No

1.2. Frame: 1,500,000 RBM (Resisting Bending Moment) - Bidder should list section modulus and yield strength below

Section Modulus: _____ Yield Strength: _____

Comply: ___Yes ___No

1.3. Cab & Axle Positions

1.3.1. Front axle: For the purposes of this solicitation, set-forward-axle (SFA) is considered equal to set-back-axle (SBA); however, SBA is the preferred option

1.3.2. Cab to Axle (CA): 149.9" clear*

1.3.3. Center of rear axle to end of frame (AF): 82"*

*Values given here are minimums. The space between cab and body shall not exceed 10 inches. Truck vendor and body manufacturer/upfitter shall coordinate in selecting a cab to axle dimension that works with the specified body and ensures proper load distribution to the front and rear axles in accordance with manufacturer specifications and industry practice. The required AF must be achieved with factory frame rails. Frame extensions to meet the required AF are not allowed. The AF must be sufficient to allow support of the full length of the body.

Comply: ___Yes ___No

1.4. Front Bumper

1.4.1. Full width all-steel front bumper

1.4.2. Two (2) frame mounted tow hooks, one on each frame rail

Comply: ___Yes ___No

EQUIPMENT SPECIFICATIONS

- 1.5. Cab
 - 1.5.1. Conventional day cab
 - 1.5.2. Tinted safety glass
 - 1.5.3. Full width exterior cab mounted sun shade with integral clearance lights
 - 1.5.4. Cab entry handles, driver & passenger side
 - 1.5.5. Outside mirrors, driver & passenger side
 - 1.5.5.1. Power adjustable
 - 1.5.5.2. 90 sq. in. minimum
 - 1.5.5.3. Heated with integrated turn signals
 - 1.5.5.4. Two (2) adjustable spot mirrors, one (1) per outside mirror
 - 1.5.6. Two (2) roof mounted air horns & one (1) standard electric horn
 - 1.5.7. Air ride: driver and passenger seat, cab suspension
 - 1.5.8. Manufacturer's highest level sound insulation package
 - 1.5.9. Gauge package including the following gauges:
 - 1.5.9.1. Air cleaner restriction
 - 1.5.9.2. Coolant temperature
 - 1.5.9.3. DEF
 - 1.5.9.4. Fuel
 - 1.5.9.5. Oil pressure
 - 1.5.9.6. Primary and secondary air pressure
 - 1.5.9.7. Speedometer
 - 1.5.9.8. Tachometer
 - 1.5.9.9. Voltmeter
 - 1.5.9.10. Gear indicator
 - 1.5.9.11. Odometer
 - 1.5.9.12. Total engine hours
 - 1.5.9.13. Trip hours
 - 1.5.9.14. Trip odometer
 - 1.5.9.15. Rear axle oil temperature
 - 1.5.9.16. Auto transmission oil temperature
 - 1.5.9.17. Engine oil temperature
 - 1.5.10. Dual sun visors
 - 1.5.11. Two (2) cup holders, integral to dash
 - 1.5.12. 3-point seat belt for each seat. If available, all seat belt webbing should be manufacturer's high visibility color (Orange, Red, Green, or Yellow)
 - 1.5.13. Climate control, including air conditioning, heater, & defroster
 - 1.5.14. Power windows & power door locks
 - 1.5.15. Tilting & telescoping steering wheel

Comply: ___Yes ___No

EQUIPMENT SPECIFICATIONS

1.6. Engine

- 1.6.1. 6.7 L, electronic diesel, turbocharged, liquid cooled, 6-cylinder inline configuration
- 1.6.2. 300 HP, 660 FT-LBS
- 1.6.3. Engine must include turbo exhaust brake
- 1.6.4. Emission system must include DEF
 - 1.6.4.1. DEF tank to be located on driver's side next to fuel tank
 - 1.6.4.2. DEF tank must have a minimum capacity of 7 gallons
- 1.6.5. Engine must be biodiesel compatible
- 1.6.6. Horizontal exhaust

Comply: Yes No

1.7. Fuel System

- 1.7.1. Fuel tank shall be metal with drain and a 50-gallon minimum capacity; tank should be located on driver's side
- 1.7.2. Davco fuel processor or equal - mounted to outside of frame
- 1.7.3. Visual element change indication that is integral to and non-removable from unit (to be located on driver's side near fuel tank)
- 1.7.4. Water-in-fuel sensor with indicator in cab
- 1.7.5. Entire fuel system must be biodiesel compatible

Comply: Yes No

1.8. Transmission

- 1.8.1. Automatic, Allison 2500 HS or equal
- 1.8.2. To be filled with manufacturer approved synthetic lubricants

Comply: Yes No

1.9. Gearing, Speed Governing & Performance

- 1.9.1. Transmission and axle ratio shall be selected for performance to be optimized at 65 MPH
- 1.9.2. Top gear road speed shall be electronically governed at 75 mph maximum
- 1.9.3. Cruise control speed shall be governed at 72 mph maximum
- 1.9.4. Axle gear ratio should optimize performance at 65 MPH while permitting truck to operate up to 75 MPH on highway without excessive engine speed. Bidder should list the RPM @ 65 MPH in the space below.

Comply: Yes No

RPM @ 65 MPH _____

1.10. Front Axle

- 1.10.1. 8,000 lbs. GAWR @ ground capacity (4,000 lbs. capacity each spring @ ground)
- 1.10.2. Shock absorbers
- 1.10.3. Wet-type, visible cap axle seals, Stemco or equal
- 1.10.4. To be filled with manufacturer approved synthetic lubricants

Comply: Yes No

EQUIPMENT SPECIFICATIONS

1.11. Rear Axle

- 1.11.1. Single speed, 17,500 lbs. GAWR @ ground capacity
- 1.11.2. Air-ride suspension
- 1.11.3. Shock absorbers
- 1.11.4. Axle should be filled with manufacturer approved synthetic lubricants

Comply: ___Yes ___No

1.12. Brakes

- 1.12.1. ABS brake system
- 1.12.2. Vacuum Over Hydraulic

Comply: ___Yes ___No

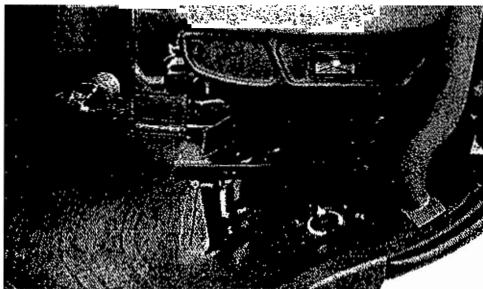
1.13. Wheels & Tires

- 1.13.1. Hub piloted steel disc, size - 8.25 X 22.5
- 1.13.2. First line, first quality tires, size – 11R22.5
- 1.13.3. Front tires - single highway tread
- 1.13.4. Rear tires - dual on/off road tread
- 1.13.5. Load ratings to be compatible with GVWR
- 1.13.6. Spare tire, jack, & lug wrench are NOT required

Comply: ___Yes ___No

1.14. Electrical System & Lights

- 1.14.1. 12-volt system
- 1.14.2. 180-amp brushless alternator
- 1.14.3. Batteries with 2200 CCA combined
- 1.14.4. Aluminum battery box
- 1.14.5. Remote jump start studs, with tethered protective caps, located outside of the battery box
- 1.14.6. Battery disconnect switch, located inside cab, near driver's seat, similar to the below picture.



- 1.14.7. Four (4) dash mounted, rocker-style, factory installed, body circuit switches (upfitter switches) for simple on/off functions for accessories (PTO, warning lights, etc.); one (1) assigned to operate the flashing warning

EQUIPMENT SPECIFICATIONS

lights; one (1) assigned to energize the cargo lighting circuit, and two (2) blank to be assigned by DOTD personnel.

1.14.8. All exterior lighting should be LED

1.14.9. Headlights:

1.14.9.1. Automatic daytime running lights

1.14.9.2. Automatic on if windshield wipers are turned on

1.14.9.3. Automatic on with low ambient light levels

1.14.9.4. Warning buzzer/alarm when headlight switch is on and ignition switch is in off position

1.14.10. Cruise control

1.14.11. Intermittent windshield wipers with washers

1.14.12. Self-cancelling directional signals

1.14.13. Backup alarm, 97 dba

1.14.14. AM/FM/WB radio with auxiliary front input, Bluetooth/hands free function and steering wheel controls

1.14.15. Two (2) 12V accessory power outlets with covers, mounted in dash (for cell phone chargers, GPS devices, etc.). One (1) 12V power outlet and one (1) USB charging outlet will also satisfy this requirement.

Comply: ___ Yes ___ No

1.15. Paint

1.15.1. Cab: Manufacturer's standard, white

1.15.2. Chassis: Manufacturer's standard, black

Comply: ___ Yes ___ No

1.16. FMCSA/DOT Mandated Safety Items

1.16.1. One (1) UL listed, 5 B:C rated, or higher, fire extinguisher securely mounted in cab

1.16.2. One (1) set of three (3) bidirectional reflective triangles conforming to FMVSS No. 125

1.16.3. At least one (1) spare fuse for each type/size used in the truck

Comply: ___ Yes ___ No

2. Van Body

2.1. Dimensions

2.1.1. 20'0" L x 96" W x 96" H

Comply: ___ Yes ___ No

2.2. Design

2.2.1. Radius front, .063 aluminum tread bright

2.2.2. 0.032 seamless roof skin riveted around perimeter

2.2.3. 1" anti-sag roof bows on 24" centers

2.2.4. Sealed unit clearance lights

2.2.5. 0.040 pre-painted aluminum sides with rivets on 2" centers

2.2.6. Extruded aluminum Z-posts on 16" centers

2.2.7. ½" exterior plywood lining on side walls

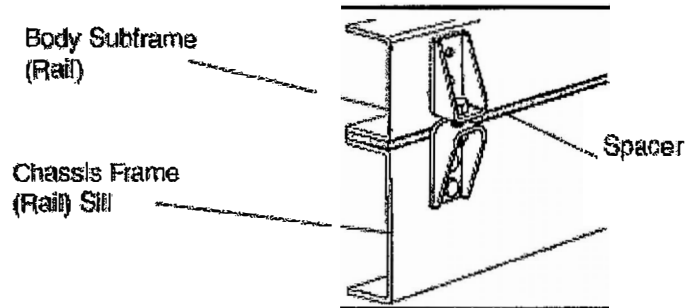
EQUIPMENT SPECIFICATIONS

- 2.2.8. 12" corrugated steel scuff plate on sides and front, one row 24" above floor, one row 48" above floor
- 2.2.9. 1-1/8" hardwood floor, undercoated
- 2.2.10. 3" galvanized I-beam crossmembers
- 2.2.11. 6" galvanized channel longitudinals
- 2.2.12. 3/16" steel reinforcement above rear wheels
- 2.2.13. Galvanized rear end with flush entry
- 2.2.14. Grab handles at rear of body
- 2.2.15. Composite roll up rear door

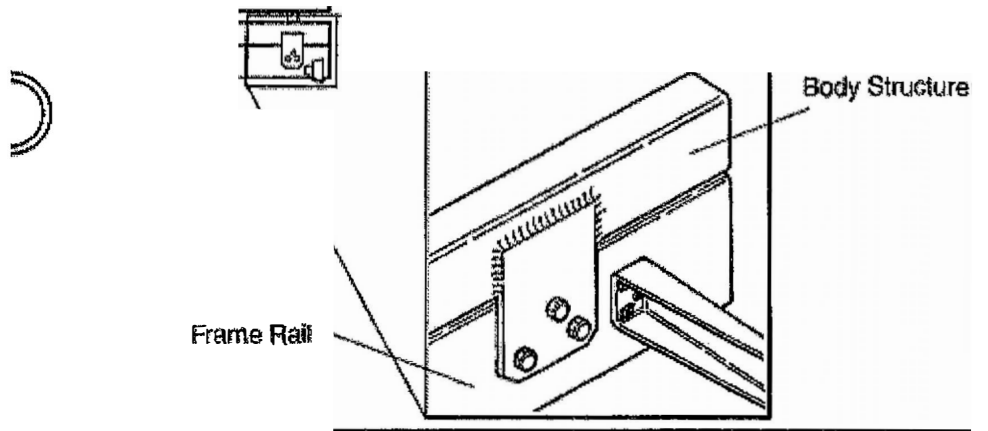
Comply: Yes No

2.3. Body Installation

- 2.3.1. A rubber or plastic (nylon or Delrin) sill spacer shall be used between the frame & body sills; WOOD SPACERS ARE NOT ALLOWED!
- 2.3.2. Body should be bolted to frame using brackets or fishplates. U-BOLTS ARE NOT ALLOWED!
 - 2.3.2.1. Upfitter should utilize chassis manufacturer's guidance for body mounting methods
- 2.3.3. Brackets



- 2.3.4. Fishplate - to be bolted to chassis frame, utilizing existing holes where possible, and bolted or welded to body sub-frame/sill.



Comply: Yes No

EQUIPMENT SPECIFICATIONS

2.4. Storage boxes

- 2.4.1. Two (2) 48" L x 18" H x 18" D frame mounted storage boxes, one (1) on each side
- 2.4.2. 14ga steel construction
- 2.4.3. Single horizontal hinged door with weather-tight seals and stainless steel hardware and lock
- 2.4.4. Installed on side of chassis frame rail with heavy duty mounting brackets

Comply: ___ Yes ___ No

2.5. Liftgate

- 2.5.1. One (1) Thieman rail gate, model TVLR 30A-AL or equal
- 2.5.2. Aluminum platform
 - 2.5.2.1. 90" W x 72" D + 6" ramp
 - 2.5.2.2. 2-piece platform
 - 2.5.2.3. Spring assist platform folding
- 2.5.3. Capacity: 3,000lbs
- 2.5.4. 150 amp circuit breaker for electrical protection
- 2.5.5. All steel painted manufacturer's standard black

Comply: ___ Yes ___ No

2.6. Body Prep/Paint: manufacturer's standard, white

Comply: ___ Yes ___ No

2.7. Rear Wheel Mud Flaps

- 2.7.1. Heavy Duty 3/8" x 24" W x 36" L rubber
- 2.7.2. Full width steel angle sandwich type anti-sail mounting brackets
- 2.7.3. Plastic flaps not acceptable

Comply: ___ Yes ___ No

3. Lighting, Wiring And High Visibility Conspicuity Tape

3.1. General

- 3.1.1. Refer to lighting layout illustrations below
- 3.1.2. Truck must be delivered with warning lights & high visibility reflective conspicuity tape installed in accordance with the below specifications and layout
- 3.1.3. All warning lights to be sealed light emitting diode (LED) type, with plug-in connectors
- 3.1.4. 6" oval lights must be grommet mounted
- 3.1.5. Warning lights shall be installed by an upfitter who is experienced in and regularly engages in the installation of automotive electronics & warning lights
- 3.1.6. Installer shall use vehicle & lighting manufacturers' guidance along with industry best practices and techniques to ensure that lights are installed in a safe and neat manner
- 3.1.7. All wiring and cables should be color coded, heat shrink wrapped and logically routed, secured, and protected with convoluted loom where possible
- 3.1.8. All wiring splices must be made using butt or parallel crimp connectors

EQUIPMENT SPECIFICATIONS

3.4. Oval Warning Lights

- 3.4.1. Two (2) lights required, installed in the locations shown below
- 3.4.2. 6" L x 2¼" W , recessed, grommet, snap-in mount
- 3.4.3. Clear polycarbonate lens
- 3.4.4. Half amber, half green
- 3.4.5. Capable of double or quad flash pattern
- 3.4.6. 12-24 VDC, with plug-in connector
- 3.4.7. Shall be SAE J595 Class 2 certified

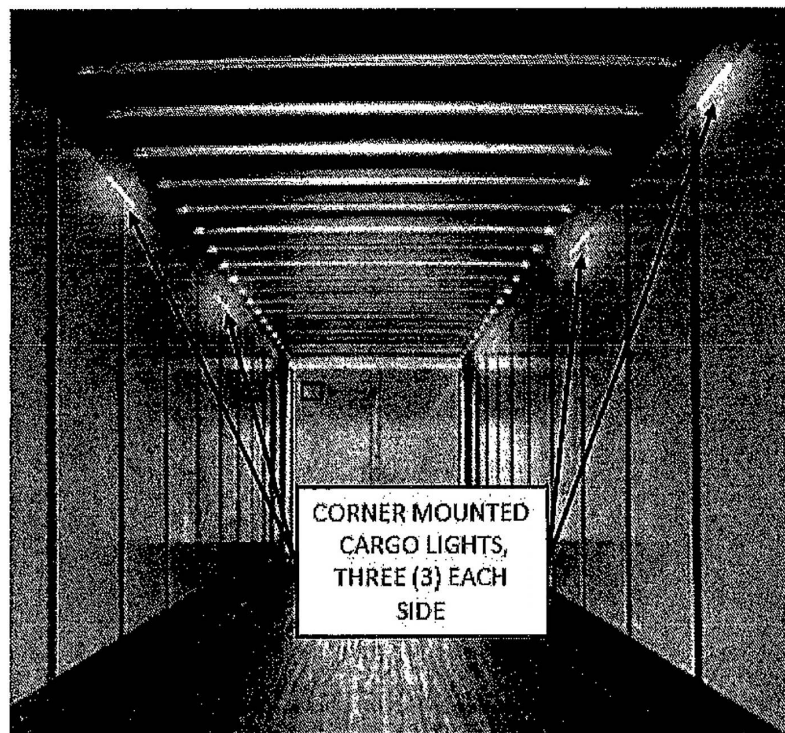
Comply: ___ Yes ___ No

3.5. High Visibility Reflective Tape

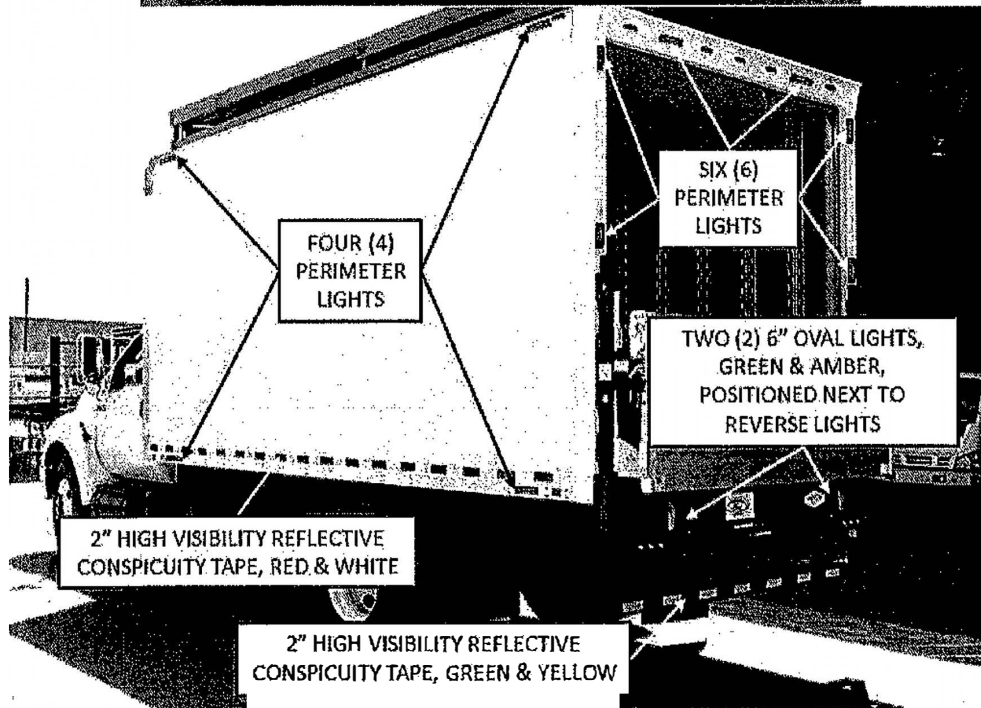
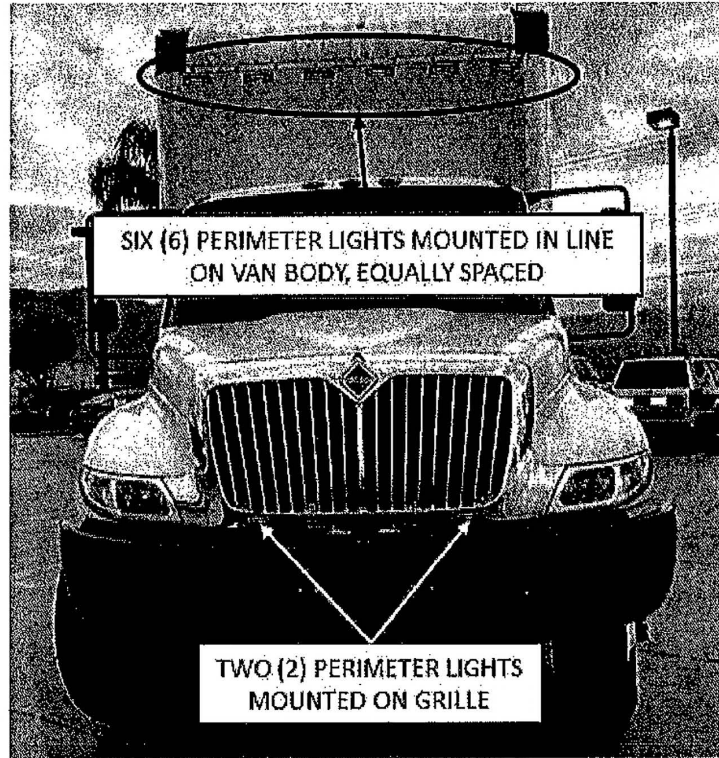
- 3.5.1. DOT C2 approved high visibility reflective conspicuity tape, 2" wide, with alternating 6" segments of red and white, shall be placed on each side of the body as shown below
- 3.5.2. High visibility reflective conspicuity tape, 2" wide, with alternating 6" segments of green and high visibility yellow, shall be placed on the rear of the body as shown below

Comply: ___ Yes ___ No

- 3.6. Lighting and Tape Layout: The following pictures are intended to show a general representation of a truck with a dry van body. Only the labeled lighting and conspicuity tape details apply here. No other features of the trucks shown are intended to be included unless stated elsewhere.



EQUIPMENT SPECIFICATIONS



Comply: Yes No

BIDDER'S EXCEPTIONS

Instructions: Bidder should note all exceptions in space provided below. List the detail number from the aforementioned specification in the column to the left and the exception in the column to the right. Responses may be typed or hand-written. Handwritten responses must be legible. If additional space is needed, please print a duplicate copy of this sheet. "Bidder's Exceptions" page(s) should be returned with the bid submittal.

Examples:

Exception:

**Spec./Detail
Reference**
