

3 1/2

16 Bolts  
1 1/4

N L P R  
TOP CAP



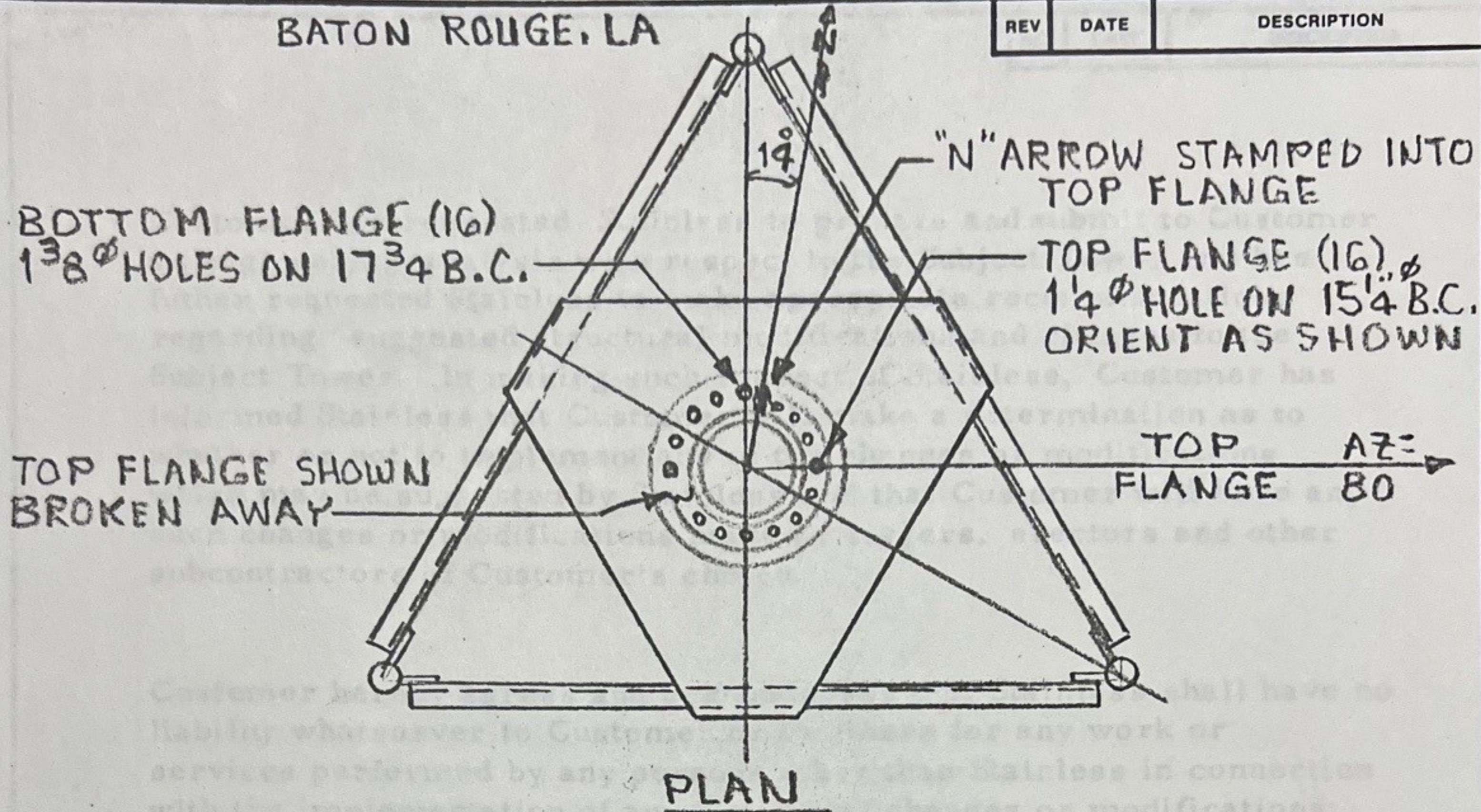
2"

Q. 1011 Δ  
17 3/4

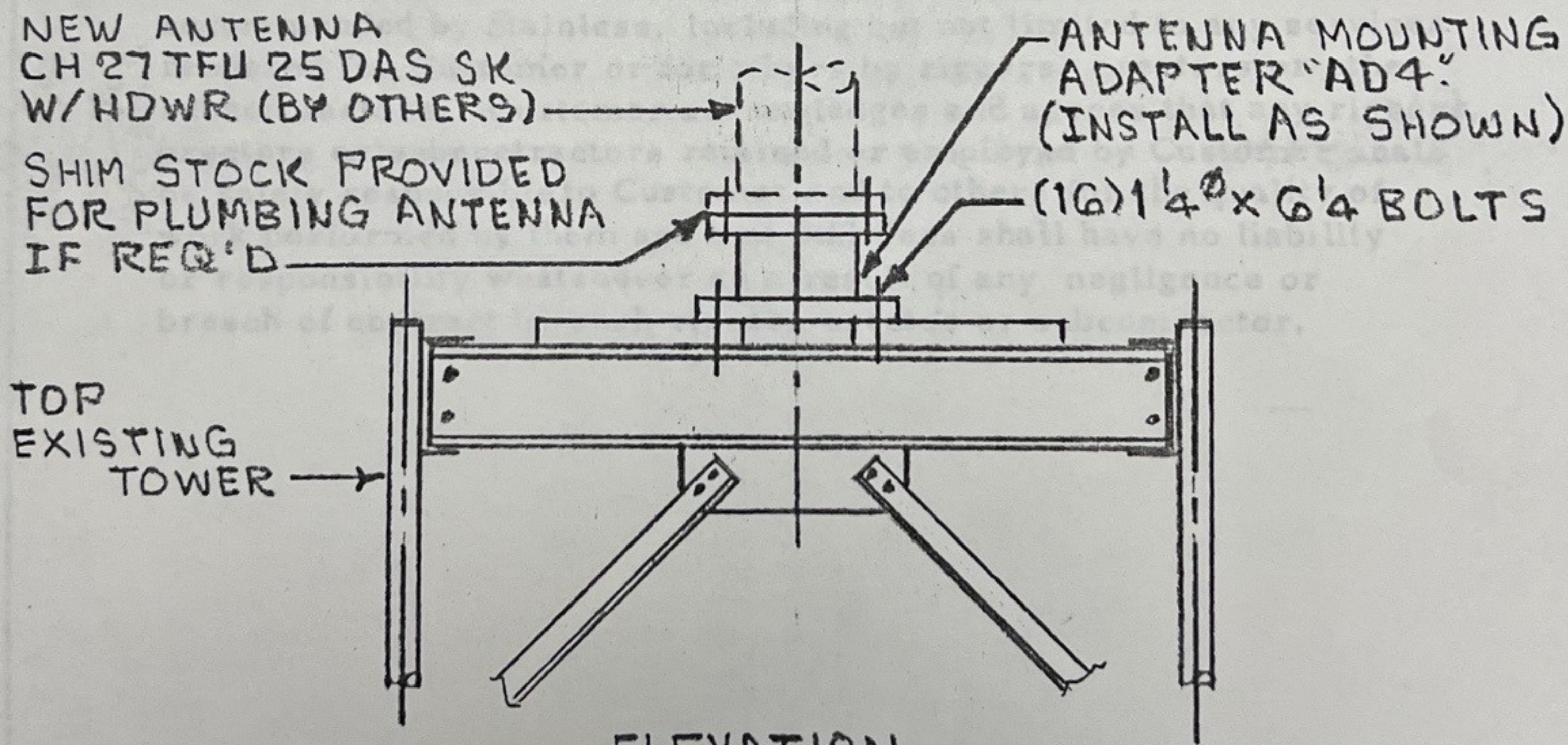
17 3/4

BATON ROUGE, LA

REV	DATE	DESCRIPTION



PLAN



ELEVATION

NOTE:

- 1- DO NOT TIGHTENED BOLTS RADIALLY. TIGHTEN BOLTS DIAMETRICALLY OPPOSED.
- 2- USE SHIM STOCK AS REQ'D.
3. CAUTION: ANTENNA ORIENTATION CRITICAL. TO BE DETERMINED BY OTHERS AND ACCEPTED BY STATION OWNER