



STATE OF LOUISIANA
DEPARTMENT OF TRANSPORTATION AND DEVELOPMENT
TECHNICAL SPECIFICATIONS FOR

TRUCK, CAB & CHASSIS, 25,500# GVWR WITH SIGN SERVICE BODY

SERIES NO. 149-500

REV. 10/16/2023

EQUIPMENT SPECIFICATION 149-500E

GENERAL

This specification sets forth the minimum requirements for a truck, cab & chassis, 25,500# gvwr with a sign service body.

Equipment shall be new, a production model of current manufacture, and must meet all state and Federal safety and emission standards in effect at time of order.

REPRESENTATIVE SPECIFICATIONS

A Freightliner M2-106 and a Dutec 446412-R2 sign service body with appropriate options and standard features, was used to develop these specifications and establish equivalency evaluation criteria.

Equipment of similar style, type, character, quality, features, and purpose conforming to the following detailed requirements/specifications will be considered. For evaluation purposes, bidder's proposing an exception/equivalent option/feature to those specified herein, may be required to provide manufacturer/product information (catalogue sheets, detailed specifications, pictures, etc.). This information will be evaluated against the minimum requirements of this specification. Proposed submittals that are determined to not be equivalent to the established criteria will be rejected.

LOUISIANA AUTHORIZED DEALER(S)

Proposed item(s) must be from a manufacturer who has at least one (1) authorized dealer within the State of Louisiana where parts and service can be obtained. Authorized dealer(s) must have properly trained technicians plus all other resources necessary to perform warranty and repair services in complete accordance with the manufacturer's requirements. A letter certifying the ability to meet this requirement, inclusive of the company name(s) and address(es) of the Louisiana authorized dealer(s), should be supplied with the bid submittal and may be required prior to award.

DELIVERY & ACCEPTANCE

Vendor shall perform a test run of each unit to verify that all features and capabilities are operating properly at time of delivery. Documentation of testing may be required prior to acceptance by the Department.

Unit(s) must be delivered completely assembled (including all components, accessories, etc.) and ready for operation without any additional preparation including, but not limited to, ensuring all fluid levels are at their full mark, fuel tank(s) is full, all necessary lubrication has been performed, etc. A Louisiana safety inspection shall be performed on each vehicle prior to delivery and a Louisiana safety inspection sticker properly affixed.

Any unit delivered under this specification is subject to rejection if there is evidence of poor workmanship, by either the vendor or the original manufacturer. Noted defects and/or nonconformance findings may



be corrected by the vendor. Corrections must be completed and approved by the Equipment Engineer or his representative prior to final acceptance.

Unit(s) shall be delivered "**on the ground**;" DOTD will not unload nor provide any unloading equipment to the vendor/delivery driver in order to offload the unit(s).

NOTE: The Department will have space available for equipment to be unloaded.

EACH UNIT MUST BE SUPPLIED WITH THE FOLLOWING DOCUMENTATION:

1. Notarized Bill of Sale
2. Certificate of Origin (MSO)
3. Dealer's Service Policy
4. Owner's/Operator's Manual(s)
 - a. One (1) Hardcopy
 - b. One (1) Digital Copy
 - i. Acceptable Formats: PDF delivered via USB "Flash Drive, or E-mail
5. Service Manual(s)
 - a. One (1) Hardcopy
 - b. One (1) Digital Copy
 - i. Acceptable Formats: PDF delivered via USB "Flash Drive, or E-mail
6. Build Sheet(s) – as applicable
 - a. One (1) Hardcopy
 - b. Build sheets should be writing in plain language (not company specific codes) and include, at a minimum, all standard & optional features of the delivered unit.

NOTE: Invoices will not be processed for payment until the unit(s) have been inspected by the Equipment Engineer or their representative and deemed in compliance with the specifications.

BID SUBMITTALS

Any additions, deletions, or variations from the specifications should be noted in the "Bidder's Exceptions" page of this specification. Exceptions that are noted to be less than a minimum requirement will not be accepted.

Any additions, deletions or variations from the manufacturer's standard published specifications should be noted on the "Bidder's Exceptions" page of this specification. Unless otherwise noted, any items appearing in the manufacturer's standard published specifications furnished by the Bidder are assumed to be included in the Bidder's submittal.

Bidder should note on their submittal any installation(s) to the equipment that will be performed by the vendor instead of the manufacturer.

Failure to note any specification exceptions, manufacturer specification alterations, and/or vendor installations prior to award may result in rejection of the equipment at the time of delivery.

THE NUMBER OF DELIVERY DAYS AFTER RECEIPT OF ORDER (ARO) MAY BE USED AS A FACTOR IN THE AWARD.

EQUIPMENT SPECIFICATIONS

NOTICE TO BIDDERS

Bidder should review the detailed "Equipment Specification" completely and respond to the compliance question at the end of each section by marking "X", in the space provided, for "Yes" or "No". Mark "Yes" to indicate that the equipment bid meets the section exactly as specified. Mark "No" if there are exceptions to any part of that section. Exceptions/deviations to any part of the specification are to be detailed on the "Bidder's Exceptions" page of this specification.

IN ORDER TO BE CONSIDERED FOR AWARD, BIDDER SHOULD RETURN THIS SPECIFICATION, COMPLETED IN FULL, WITH THEIR BID SUBMITTAL.

Note: All Values listed below are minimums unless noted otherwise.

1. General

This description is for a 135" sign service body mounted onto a truck cab and chassis of 25,500lbs. GVWR.

2. Cab & Chassis

2.1. GVWR: 25,500 lbs.

Comply: Yes No

2.2. Frame: 950,000 RBM (Resisting Bending Moment) - Bidder should list section modulus and yield strength below

Section Modulus: _____ Yield Strength: _____

Comply: Yes No

2.3. Cab & Axle Positions

2.3.1. Front axle: For the purposes of this solicitation, set-forward-axle (SFA) is considered equal to set-back-axle (SBA); however, SBA is the preferred option

2.3.2. Cab to axle (CA): 86" clear*

2.3.3. Center of axle to end of frame (AF): 56"*

*Values given here are minimums. The space between cab and body shall not exceed 10 inches. Truck vendor and service body manufacturer/upfitter shall coordinate in selecting a cab to axle dimension that works with the specified body and ensures the wheel well is aligned with the center of the axle. The required AF must be achieved with factory frame rails. Frame extensions to meet the required AF are not allowed. The AF must be sufficient to allow support of the full length of the body.

Comply: Yes No

EQUIPMENT SPECIFICATIONS

2.4. Front Bumper

- 2.4.1. Full width all-steel front bumper
- 2.4.2. Two (2) frame mounted tow hooks, one on each frame rail

Comply: ___Yes ___No

2.5. Cab

- 2.5.1. Conventional day cab
- 2.5.2. Tinted safety glass
- 2.5.3. Full width exterior cab mounted sun shade with integral clearance lights
- 2.5.4. Cab entry handles, driver & passenger side
- 2.5.5. Outside mirrors, driver & passenger side
 - 2.5.5.1. Power adjustable
 - 2.5.5.2. 90 sq. in. minimum
 - 2.5.5.3. Heated with integrated turn signals
 - 2.5.5.4. Two (2) adjustable spot mirrors, one (1) per outside mirror
- 2.5.6. Two (2) roof mounted air horns & one (1) standard electric horn
- 2.5.7. Air ride: driver and passenger seat, cab suspension
- 2.5.8. Manufacturer's highest level sound insulation package
- 2.5.9. Wing dash, if available
- 2.5.10. Gauge package including the following:
 - 2.5.10.1. Air cleaner restriction
 - 2.5.10.2. Coolant temperature
 - 2.5.10.3. DEF
 - 2.5.10.4. Fuel
 - 2.5.10.5. Oil pressure
 - 2.5.10.6. Primary and secondary air pressure
 - 2.5.10.7. Speedometer
 - 2.5.10.8. Tachometer
 - 2.5.10.9. Voltmeter
 - 2.5.10.10. Gear indicator
 - 2.5.10.11. Odometer
 - 2.5.10.12. Total engine hours
 - 2.5.10.13. Trip hours
 - 2.5.10.14. Trip odometer
 - 2.5.10.15. Rear axle oil temperature
 - 2.5.10.16. Auto transmission oil temperature
 - 2.5.10.17. Engine oil temperature
- 2.5.11. Dual sun visors
- 2.5.12. Two (2) cup holders, integral to dash
- 2.5.13. 3-point seat belt for each seat. All seat belt webbing must be manufacturer's high visibility color (Orange, Red, Green, or Yellow).

EQUIPMENT SPECIFICATIONS

2.5.14. Climate control, including air conditioning, heater, & defroster

2.5.15. Power windows & power door locks

2.5.16. Tilting and telescoping steering wheel

Comply: Yes No

2.6. Engine

2.6.1. 7.7 L, electronic diesel, turbocharged, liquid cooled, 6-cylinder inline configuration

2.6.2. 300 HP, 860 FT-LBS

2.6.3. Engine must include turbo exhaust brake

2.6.4. Emission system must include DEF

2.6.4.1. DEF tank must have a minimum capacity of 7 gallons

2.6.5. Engine must be biodiesel compatible

2.6.6. Horizontal exhaust

Comply: Yes No

2.7. Fuel System

2.7.1. Fuel tank shall be metal with drain and a 50-gallon minimum capacity; tank should be located on driver's side

2.7.2. Davco fuel processor or equal - mounted to outside of frame

2.7.3. Visual element change indication that is integral to and non-removable from unit (to be located on driver's side near fuel tank)

2.7.4. Water-in-fuel sensor with indicator in cab

2.7.5. Entire fuel system must be biodiesel compatible

Comply: Yes No

2.8. Transmission

2.8.1. Automatic, Allison 3000 RDS or equal

2.8.2. To be filled with manufacturer approved synthetic lubricants

Comply: Yes No

2.9. Gearing, Speed Governing & Performance

2.9.1. Transmission and axle ratio shall be selected for performance to be optimized at 65 MPH

2.9.2. Top gear road speed shall be electronically governed at 75 mph maximum

2.9.3. Cruise control speed shall be governed at 72 mph maximum

2.9.4. Axle gear ratio should optimize performance at 65 MPH while permitting truck to operate up to 70 MPH on highway without excessive engine speed. Bidder should list the RPM @ 65 MPH in the space below.

Comply: Yes No

RPM @ 65 MPH _____

2.10. Front Axle

2.10.1. 8,000 lbs. GAWR @ ground capacity (4,000 lbs. capacity each spring @ ground)

EQUIPMENT SPECIFICATIONS

- 2.10.2. Integral power steering
- 2.10.3. Wet-type, visible cap axle seals, Stemco or equal
- 2.10.4. Axle should be filled with manufacturer approved synthetic lubricants

Comply: Yes No

2.11. Rear Axle

- 2.11.1. Single speed, 17,500 lbs. GAWR @ ground capacity, air suspension to match. (8,750 lbs. capacity each spring @ ground)
- 2.11.2. Air-ride suspension
- 2.11.3. Shock absorbers
- 2.11.4. Axle should be filled with manufacturer approved synthetic lubricants
- 2.11.5. Completed truck with all sign body equipment installed must sit level side-to-side and with a small forward rake

Comply: Yes No

2.12. Brakes

- 2.12.1. Full air disc brake sysem, ABS brake system with traction control
- 2.12.2. 18 CFM air compressor
- 2.12.3. Bendix AD-9 air dryer or equal
- 2.12.4. Bendix Wingman[®] Fusion[™] Advanced Driver Assistance System, or approved equal

Comply: Yes No

2.13. Wheels & Tires

- 2.13.1. Hub piloted steel disc, size - 8.25 X 22.5
- 2.13.2. First line, first quality tires, size – 11R22.5
- 2.13.3. Front tires - single highway tread
- 2.13.4. Rear tires - dual on/off road tread
- 2.13.5. Load ratings to be compatible with GVWR
- 2.13.6. Spare tire, jack, & lug wrench are NOT required

Comply: Yes No

2.14. Electrical System

- 2.14.1. 12-volt system
- 2.14.2. 180-amp brushless alternator
- 2.14.3. Batteries with 2200 CCA combined
- 2.14.4. Aluminum battery box
- 2.14.5. Remote jump start studs, with tethered protective caps, located outside of the battery box
- 2.14.6. Battery disconnect switch, located inside cab, near driver's seat, similar to the below picture.

EQUIPMENT SPECIFICATIONS



- 2.14.7. Four (4) dash mounted, rocker-style, factory installed, body circuit switches (upfitter switches) for simple on/off functions for accessories (PTO, warning lights, etc.; one (1) assigned to operate the flashing warning lights; remaining blank to be assigned by DOTD personnel.
- 2.14.8. All exterior lighting should be LED
- 2.14.9. Headlights:
 - 2.14.9.1. Automatic daytime running lights
 - 2.14.9.2. Automatic on if windshield wipers are turned on
 - 2.14.9.3. Automatic on with low ambient light levels
 - 2.14.9.4. Warning buzzer/alarm when headlight switch is on and ignition switch is in off position
- 2.14.10. Cruise control
- 2.14.11. Intermittent windshield wipers with washers
- 2.14.12. Self-cancelling directional signals
- 2.14.13. Backup alarm, 97 dba
- 2.14.14. AM/FM/WB radio with auxiliary front input, Bluetooth/hands free function and steering wheel controls
- 2.14.15. Two (2) 12V accessory power outlets with covers, mounted in dash (for cell phone chargers, GPS devices, etc.)

Comply: ___ Yes ___ No

2.15. Paint

- 2.15.1. Cab: Manufacturer's standard, white
- 2.15.2. Chassis: Manufacturer's standard, black

Comply: ___ Yes ___ No

2.16. FMCSA/DOT Mandated Safety Items

- 2.16.1. One (1) UL listed, 5 B:C rated, or higher, fire extinguisher securely mounted in cab
- 2.16.2. One (1) set of three (3) bidirectional reflective triangles conforming to FMVSS No. 125
- 2.16.3. At least one (1) spare fuse for each type/size used in the truck

Comply: ___ Yes ___ No

3. Attached Equipment – Sign Service Body

3.1. General

- 3.1.1. DuTec 446412-R2 Sign Body with crane
- 3.1.2. Refer to additional details & DuTec drawings below

EQUIPMENT SPECIFICATIONS

3.1.3. The truck and attached equipment manufacturers must mutually resolve any unexpected truck/attached equipment component conflict with a sound and functional solution as a requirement of this specification.

Comply: ___ Yes ___ No

3.2. Dimensions

- 3.2.1.** Length: 135", plus step bumper
- 3.2.2.** Width: 96", plus doors (98.5" overall)
- 3.2.3.** Height: Front - 68", Rear - 66"

Comply: ___ Yes ___ No

3.3. Compartments – General

- 3.3.1.** Doors – Constructed of 12-gauge galvaneal formed outer panel and a 16-gauge galvaneal formed inner panel with a die formed channel and a polypropylene core
- 3.3.2.** Door Seals – 360 degree formed drain channel with an automotive style bulb rubber seal
- 3.3.3.** Door Hinges
 - 3.3.3.1.** Stainless steel barrel style hinges with a 5/16" pin and grease fittings
- 3.3.4.** All vertical doors should have spring assist door checks
- 3.3.5.** Door Locks – Stainless steel t-handle twist locks, all keyed alike
- 3.3.6.** Master Lock – A spring-loaded master lock is to be provided for each side pack allowing each side pack to be locked with a single protected padlock
- 3.3.7.** Drawers
 - 3.3.7.1.** All drawers and shelves are constructed with 14-gauge galvanized material
 - 3.3.7.2.** Drawers are mounted on slides with a 300 lb. dynamic load rating per pair
 - 3.3.7.3.** Drawer units automatically lock in the open and closed position

Comply: ___ Yes ___ No

3.4. Compartmentation

- 3.4.1.** Curbside
 - 3.4.1.1.** R-1: Slotted and tapered sign storage and 300 lb. drawer units per drawing 446412 R2-3.
 - 3.4.1.2.** R-2: Slotted and tapered sign storage per drawing 446412 R2-3.
 - 3.4.1.3.** R-3:
 - 3.4.1.3.1.** 10K ft/lb crane reinforcement.
 - 3.4.1.3.2.** Closed storage compartment behind sign storage with rear access.
 - 3.4.1.3.3.** Slotted and tapered sign storage per drawing 446412 R2-3.
- 3.4.2.** Streetside
 - 3.4.2.1.** L-1: Lower
 - 3.4.2.1.1.** Open storage per drawing 446412 R2-1
 - 3.4.2.1.2.** Truck batteries to be installed in a tray and adequately secured to prevent movement. A removable non-metallic cover shall be installed protecting the battery posts and cables from being contacted by any tools or material stored in that compartment, while still allowing easy access for maintenance.
 - 3.4.2.2.** L-2 Lower: Open storage per drawing 446412 R2-1.

EQUIPMENT SPECIFICATIONS

3.4.2.3. L-1 Upper: Open storage per drawing 446412 R2-1.

3.4.2.4. L-2 Upper: One fixed divider shelf with four dividers per drawing 446412 R2-1.

3.4.2.5. L-3 Upper: 40 gallon vented stainless steel water tank with 2" fill and ¾" drain per drawing 446412 R2-1.

3.4.2.6. L-4 Upper: One fixed divider shelf with six dividers per drawing 446412 R2-1.

Comply: ___ Yes ___ No

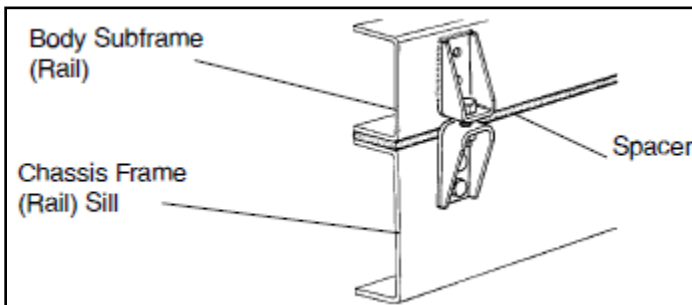
3.5. Body Installation

3.5.1. A rubber or plastic (nylon or Delrin) sill spacer shall be used between the frame & body sills; WOOD SPACERS ARE NOT ALLOWED!

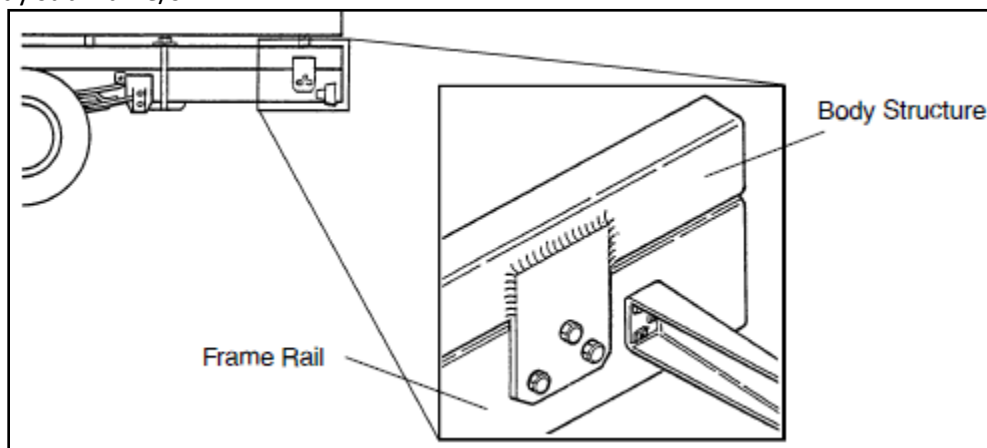
3.5.2. Body should be bolted to frame using brackets or fishplates. U-BOLTS ARE NOT ALLOWED!

3.5.2.1. Upfitter should utilize chassis manufacturer's guidance for body mounting methods

3.5.3. Brackets



3.5.4. Fishplate - to be bolted to chassis frame, utilizing existing holes where possible, and bolted or welded to body sub-frame/sill.



Comply: ___ Yes ___ No

3.6. Body Construction

3.6.1. Base Body

3.6.1.1. Constructed of 10 and 12-gauge steel

EQUIPMENT SPECIFICATIONS

3.6.1.2. All exterior seams continuously welded

3.6.2. Floor

3.6.2.1. Floor sheet – 1/8” tread plate 41” wide

3.6.2.2. This floor is 10” above the sub floor with 2” deck support framework, creating a lower compartment for sign post storage

3.6.3. Subfloor

3.6.3.1. 10-gauge steel with drain holes at front and rear of compartment

3.6.4. Four (4) cargo tie downs in floor at corners of cargo area

3.6.5. Cross Members

3.6.5.1. Front and intermediates, 3/16” HR plate, die formed

3.6.5.2. Rear cross member - 1/4” plate, die formed

3.6.6. Tailgate

3.6.6.1. Closes off post bin storage area and extends 10” above deck level

Comply: ___ Yes ___ No

3.7. Bumper

3.7.1. 12” step bumper constructed with 1/8” tread plate and frame supports of 4” structural channel

3.7.2. 2” Class 5 square receiver hitch and safety chain hooks (weld-on d-rings)

3.7.3. Combination 7-pole round & 4-pole flat trailer lighting connector with weather-resistant covers

Comply: ___ Yes ___ No

3.8. Mud Flaps

3.8.1. Heavy duty 3/8” rubber rear wheel mud flaps with full width steel angle sandwich type mounting brackets (plastic flaps not acceptable)

Comply: ___ Yes ___ No

3.9. Body Prep. & Paint

3.9.1. Remove all weld spatter and slag, round sharp corners, grind sharp edges, buff all surfaces

3.9.2. Prepare all metal surfaces (under structure and body) per paint manufacturer’s requirements

3.9.3. Prime all metal surfaces with PPG EPX Series high solids epoxy primer compatible with finish coat or equal. Primer to be 3-4 mils DFT.

3.9.4. Apply finish coat of PPG Concept (DCC) Acrylic Urethane or equal

3.9.5. Bed color to match cab

3.9.6. Underbody color to be painted black

3.9.7. Finish coat to be 4 mils DFT

3.9.8. Apply all coatings in strict accordance with manufacturer’s recommendations

3.9.9. Note: Paint will be tested with a 7-mil magnet when it arrives at DOTD, if the paint is not in compliance it will be rejected

Comply: ___ Yes ___ No

4. This Section Intentionally Blank

EQUIPMENT SPECIFICATIONS

5. Warning Lights, Wiring And High Visibility Conspicuity Tape

5.1. General

- 5.1.1. Refer to lighting layout illustration and DuTec drawings below
- 5.1.2. Truck must be delivered with warning lights & high visibility reflective conspicuity tape installed in accordance with the below specifications and layout
- 5.1.3. All warning lights to be sealed light emitting diode (LED) type, with plug-in connectors
- 5.1.4. 6" oval lights and round clearance marker lights must be grommet mounted, with the exception of the upper side marker lights which are protected by location but not mounted in rubber grommets
- 5.1.5. Warning lights shall be installed by an upfitter who is experienced in and regularly engages in the installation of automotive electronics & warning lights
- 5.1.6. Installer shall use vehicle & lighting manufacturers' guidance along with industry best practices and techniques to ensure that lights are installed in a safe and neat manner
- 5.1.7. All wiring and cables should be color coded, heat shrink wrapped and logically routed, secured, and protected with convoluted loom where possible
- 5.1.8. All wiring splices must be made using butt or parallel crimp connectors
- 5.1.9. Non-metallic/rubber grommets shall be used where wires and cables penetrate any cab panels, body panels, or chassis structure
- 5.1.10. All cab and body penetrations shall be adequately sealed to prevent water from entering
- 5.1.11. All warning lights to be controlled by a single in-cab, dash-mounted upfitter switch. The switch must be labeled to read "Warning Lights"
- 5.1.12. Installer shall contact DOTD Equipment Section prior to programming to confirm intended flash pattern(s)
- 5.1.13. All lighting must meet Federal and state requirements

Comply: Yes No

5.2. Mid-size & Mini Light Bars

- 5.2.1. SoundOff Signal nRoads Mini/Mid-Size or equal satisfying the following requirements
- 5.2.2. Three (3) mid-size (24") light bars & one (1) mini (17") light bar shall be installed in the locations shown below
- 5.2.3. Lengths are nominal and +/- 1" is acceptable
- 5.2.4. Dual color - 12 diodes per module (equal number of green & amber)
 - 5.2.4.1. All diode positions must be capable of displaying both colors
- 5.2.5. Flash pattern capable of alternating between an asymmetric, low-frequency, "wig-wag" pattern and a low-frequency double or quad flash.
- 5.2.6. UV resistant clear polycarbonate lens
- 5.2.7. 10-16 VDC
- 5.2.8. Light bars shall meet all applicable federal/state laws and regulations
- 5.2.9. Shall be SAE J845 360-degree Class 1 certified

Comply: Yes No

5.3. Perimeter Lights

- 5.3.1. Brooking Industries XT12D (or ST6D) perimeter lighthouse or equal satisfying the following requirements

EQUIPMENT SPECIFICATIONS

5.3.2. Size: Length: 4.25-5.25 in., Width: 1.0-2.0 in., Height: 0.3-0.4 inches

5.3.3. 12-24 VDC

5.3.4. UV resistant clear polycarbonate lens, black bezel trim

5.3.5. 12 diodes - dual color - (equal number of green & amber)

5.3.6. Lighthouse shall be capable of displaying each color across full length

5.3.7. Capable of alternating between an asymmetric, low-frequency, "wig-wag" pattern and a low-frequency double or quad flash

5.3.8. Lighthouse shall meet all applicable federal/state laws and regulations

5.3.9. Shall be SAE J595 Class 1 certified

Comply: ___ Yes ___ No

5.4. Oval Light

5.4.1. 6" L x 2¼" W , recessed, grommet, snap-in mount

5.4.2. Polycarbonate lens

5.4.3. Dual color – half amber, half green

5.4.4. Capable of double or quad flash pattern

5.4.5. 12-24 VDC, with plug-in connector

5.4.6. Shall be SAE J595 Class 2 certified

Comply: ___ Yes ___ No

5.5. High Visibility Reflective Tape

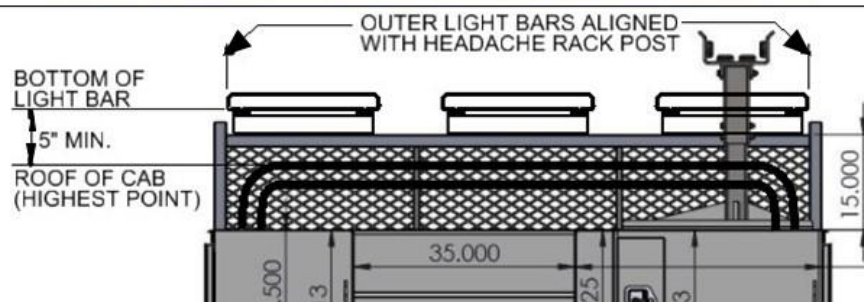
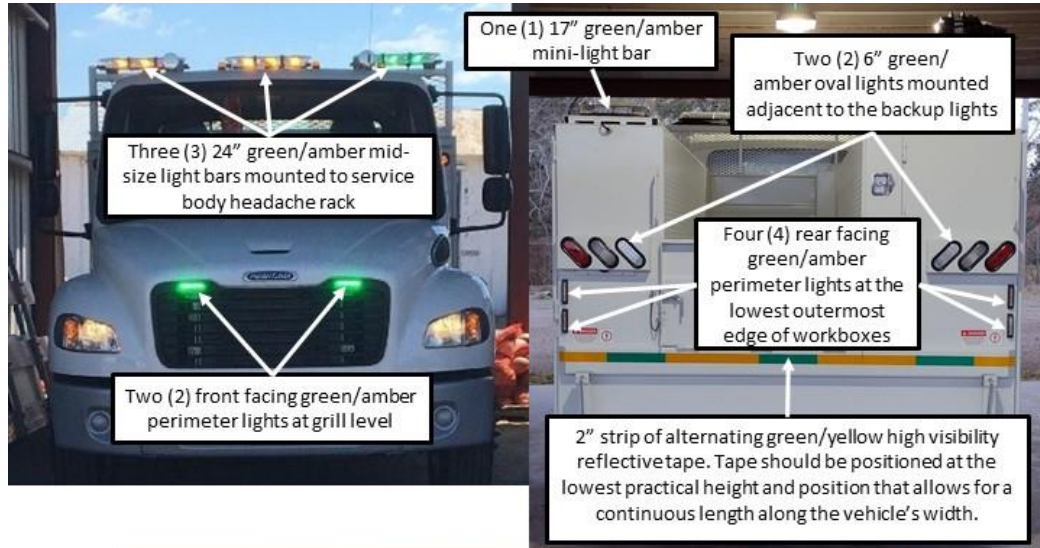
5.5.1. DOT C2 approved high visibility reflective conspicuity tape, 2" wide, with alternating 6" segments of red and white, shall be placed above the rear wheels as shown below

5.5.2. High visibility reflective conspicuity tape, 2" wide, with alternating 6" segments of green and high visibility yellow, shall be placed on the rear of the body as shown below

Comply: ___ Yes ___ No

EQUIPMENT SPECIFICATIONS

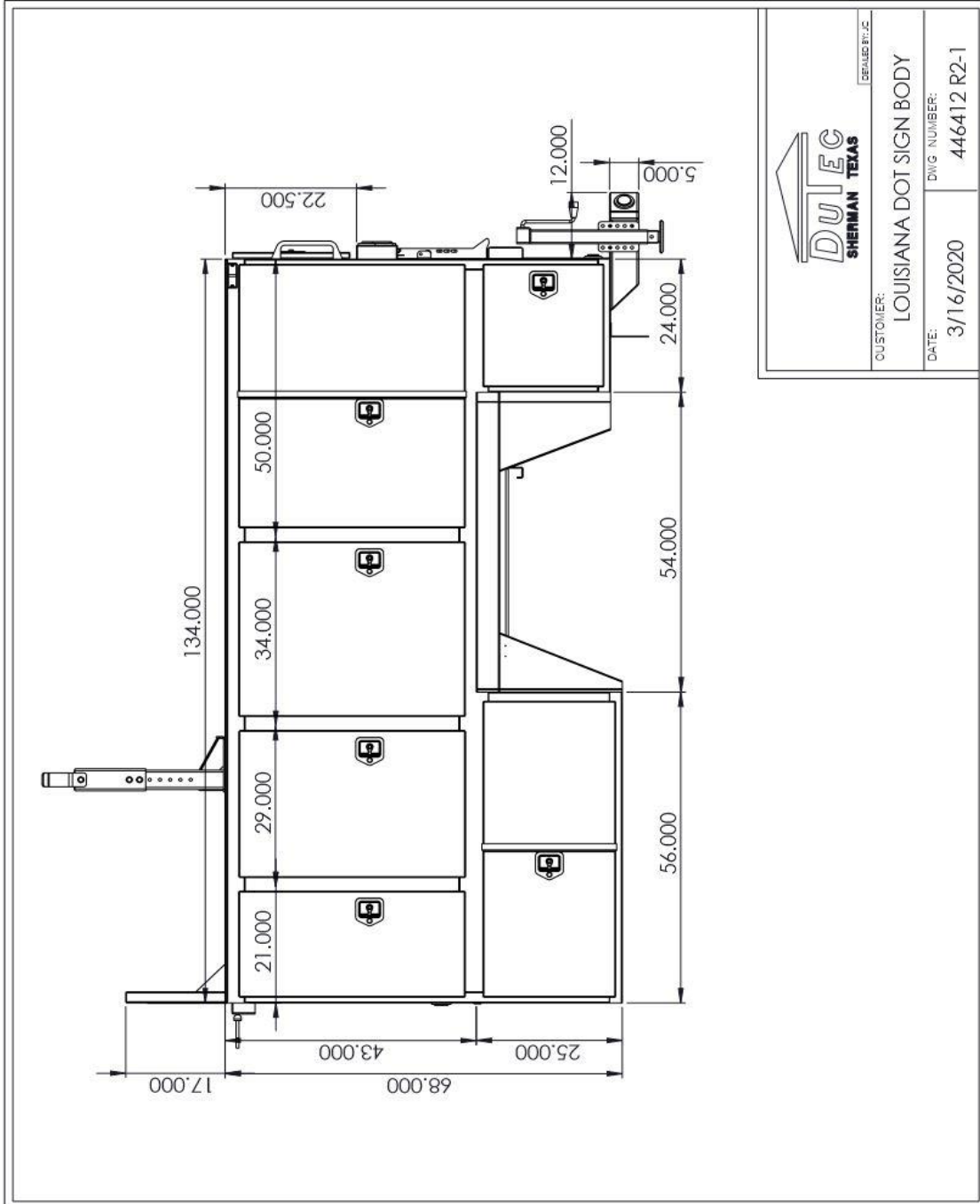
5.6. Warning Light & Striping Layout



Comply: ___Yes ___No

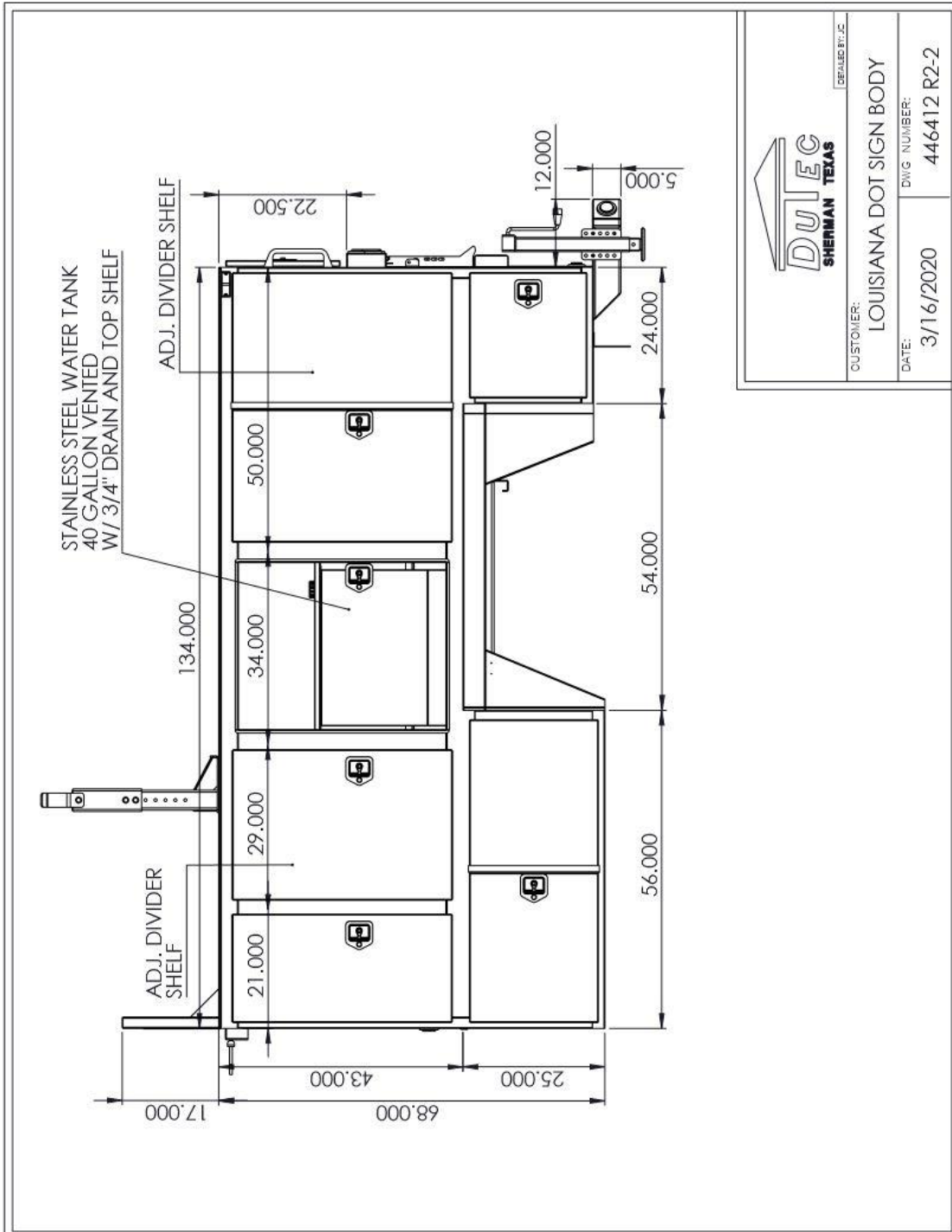
EQUIPMENT SPECIFICATIONS

5.7. Sign Body Drawings



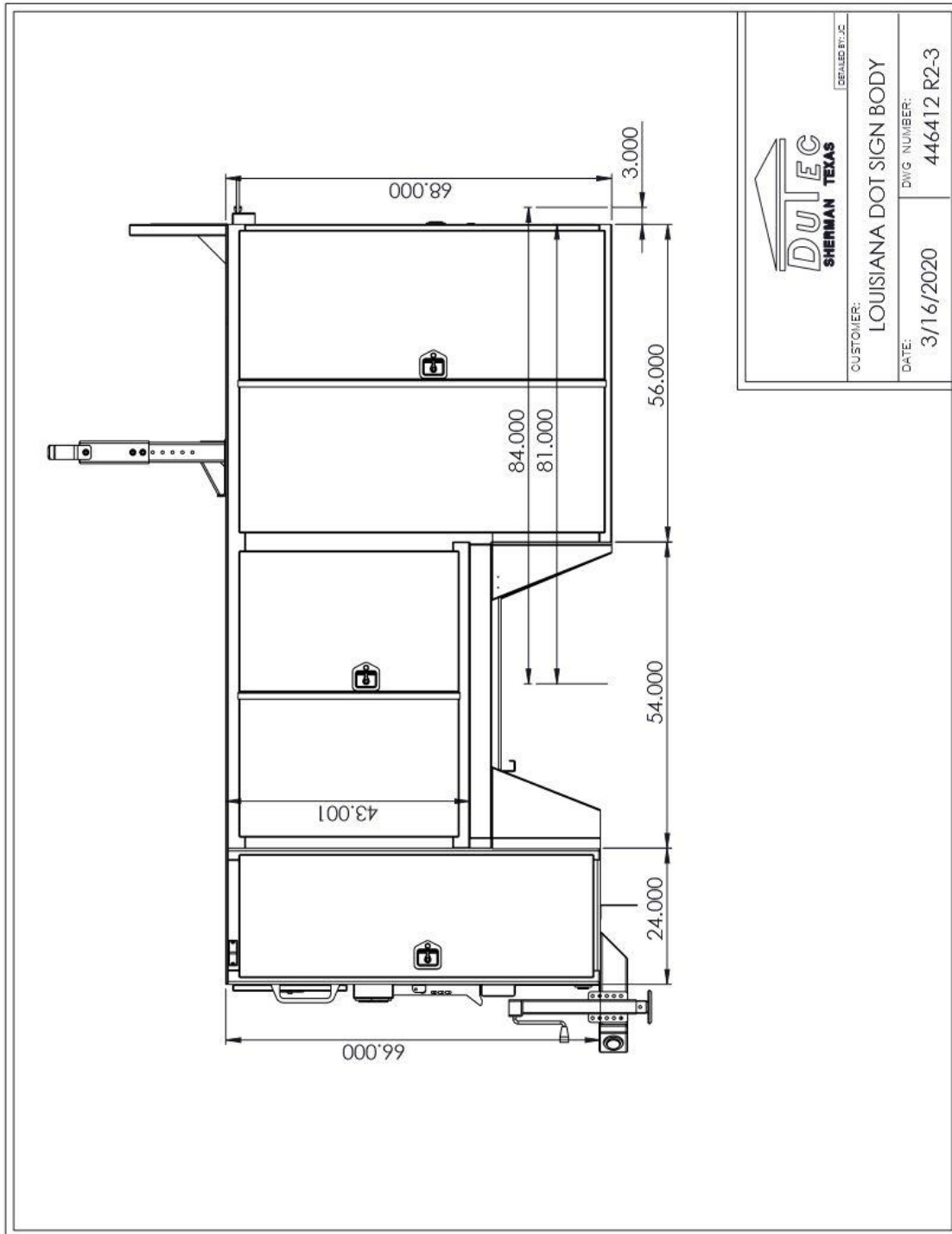
Comply: ___ Yes ___ No

EQUIPMENT SPECIFICATIONS



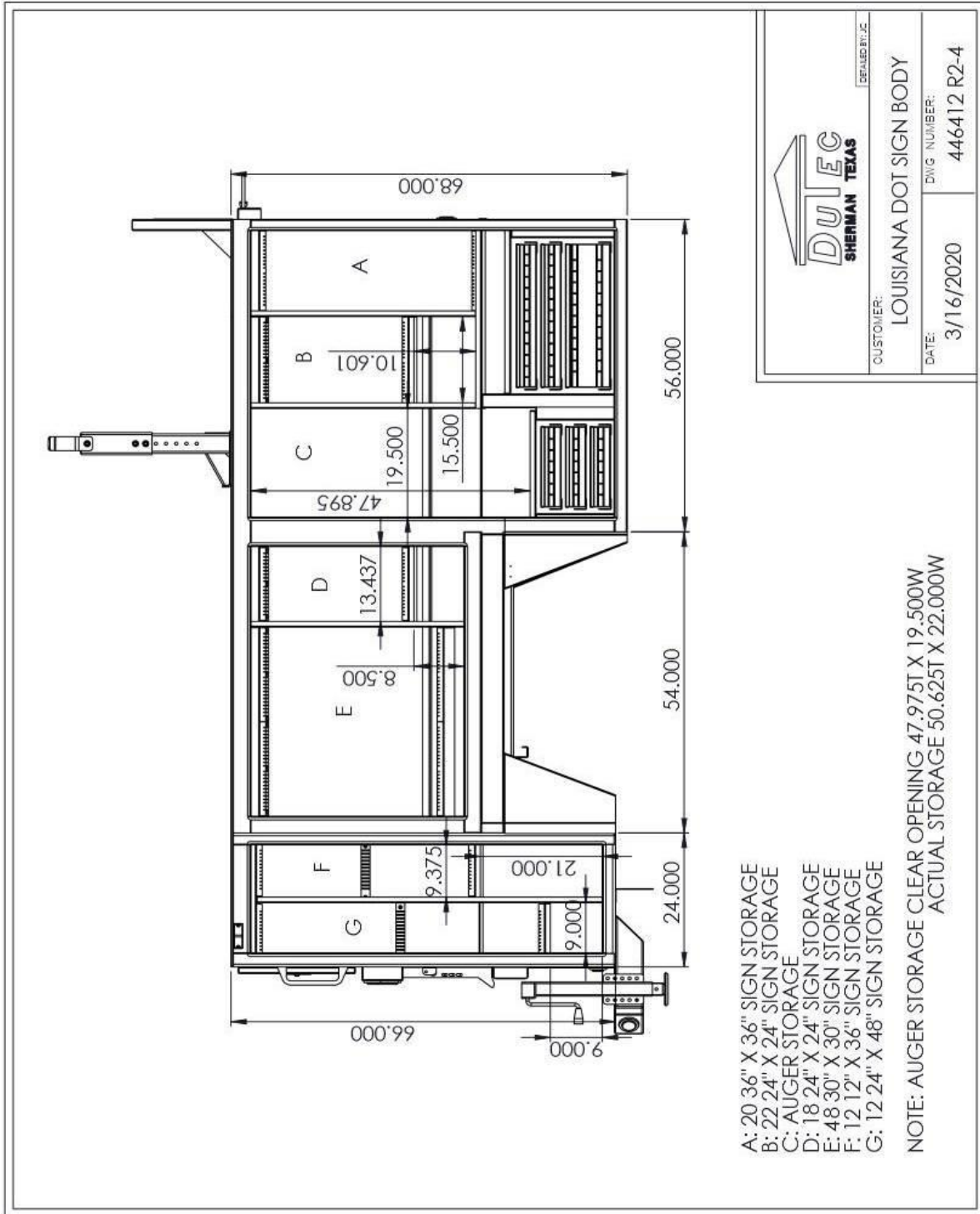
Comply: ___ Yes ___ No

EQUIPMENT SPECIFICATIONS



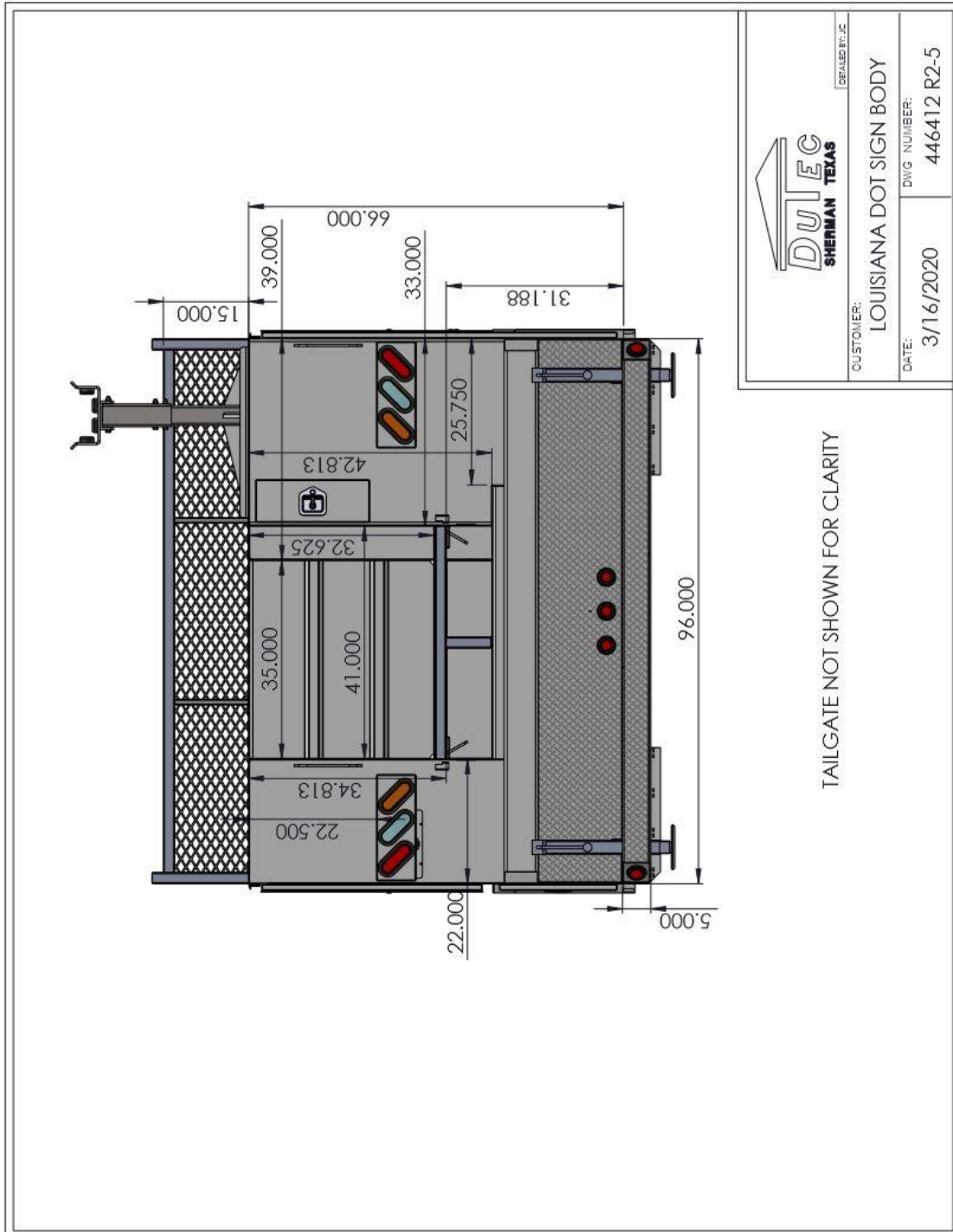
Comply: ___ Yes ___ No

EQUIPMENT SPECIFICATIONS



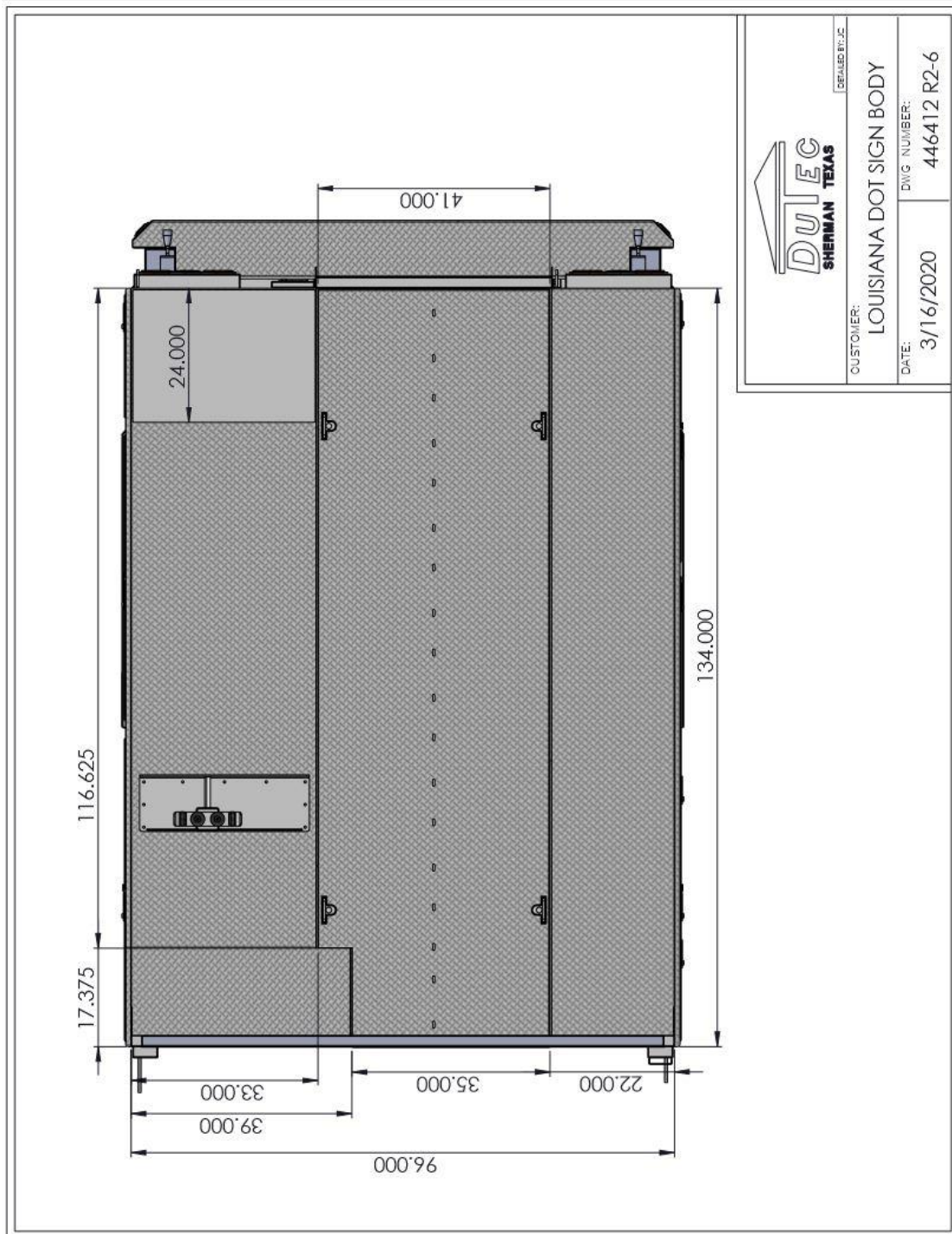
Comply: ___ Yes ___ No

EQUIPMENT SPECIFICATIONS



Comply: ___ Yes ___ No

EQUIPMENT SPECIFICATIONS



Comply: ___ Yes ___ No

BIDDER'S EXCEPTIONS

Instructions: Bidder should note all exceptions in space provided below. List the detail number from the aforementioned specification in the column to the left and the exception in the column to the right. Responses may be typed or hand-written. Handwritten responses must be legible. If additional space is needed, please print a duplicate copy of this sheet. "Bidder's Exceptions" page(s) should be returned with the bid submittal.

Examples:

1.6	Engine has 325 horsepower
1.18.3	Batteries have 2000 CCA combined.
2.2.8	Crossmembers are 4" channel on 12" centers.

**Spec./Detail
Reference**

Exception
