

CITY OF BATON ROUGE
PARISH OF EAST BATON ROUGE
DEPARTMENT OF ENVIRONMENTAL SERVICES

December 7, 2023

ADDENDUM NO. 1

TO: ALL BIDDERS

SUBJECT: **NORTH WASTEWATER TREATMENT PLANT LARGE DIAMETER PIPE REHABILITATION**

CITY-PARISH PROJECT NO. 21-TP-MS-0034

ORIGINAL BID DATE: Tuesday, December 12, 2023 at 2:00 PM

CURRENT BID DATE: Thursday, December 14, 2023 at 2:00 PM

The following revisions shall be incorporated in and take precedence over any conflicting part of the original contract document:

PART 1 – UNIFORM CONSTRUCTION BID FORMS:

1. For paper sealed bidders, with reference to page UCBF 1 of 4 of Part 1, Uniform Construction Bid Forms, the Bidder shall indicate the receipt of this addendum in the space provided. For online Central Bidding bidders, an acknowledgement of this addendum will be prompted by the electronic bidding program prior to formally submitting the bid. **Failure to indicate the receipt of this addendum shall be cause for the bid to be rejected.**
2. Acting in accordance with Louisiana Revised Statutes 38:2212, (C) (1), the bid opening date is postponed by two (2) calendar days. **Bids will be opened at 2:00 PM Thursday, December 14, 2023 in Room 806 of City Hall, in lieu of December 12, 2023.**

PART 2 – SPECIAL PROVISIONS AND CONTRACT DOCUMENTS:

1. For paper sealed bidders, with reference to page UCBF 1 of 4 of Part 1, Uniform Construction Bid Forms, the Bidder shall indicate the receipt of this addendum in the space provided. For online Central Bidding bidders, an acknowledgement of this addendum will be prompted by the electronic bidding program prior to formally submitting the bid. **Failure to indicate the receipt of this addendum shall be cause for the bid to be rejected.**
2. Acting in accordance with Louisiana Revised Statutes 38:2212, (C) (1), the bid opening date is postponed by two (2) calendar days. **Bids will be opened at 2:00 PM Thursday, December 14, 2023 in Room 806 of City Hall, in lieu of December 12, 2023.**

SPECIAL PROVISIONS

3-10 Part 1 – POLICY/COMPLIANCE: Remove the last paragraph from Section C Subcontracts.

CONTRACT DOCUMENTS

1. Add “Appendix C – Chlorine Contact Basins” after “Appendix B – Trickling Filter Piping.”

COMMENTS AND QUESTIONS

1. Links to CCTV video of the Final Effluent Lines and Trickling Filter Influent Lines are provided below. Contractors may also provide a jump drive and have the files downloaded. Contact jsharper@brgla.gov in regards to downloading the files on a jump drive.

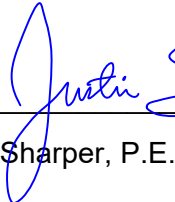
Final Effluent CCTV

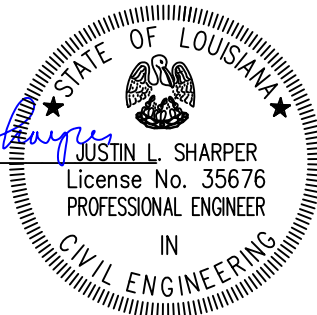
<https://www.dropbox.com/scl/fo/zgrr25fe3f9un131hxjq4/h?rlkey=qkhqkk6323hv6j1uxvrzarcu5&dl=0>

Trickling Filter Influent Lines

<https://www.dropbox.com/scl/fo/b3519p5ky8hd7e6s5bsy3/h?rlkey=bdu7rxy7nye7ou65lwbyd3qml&dl=0>

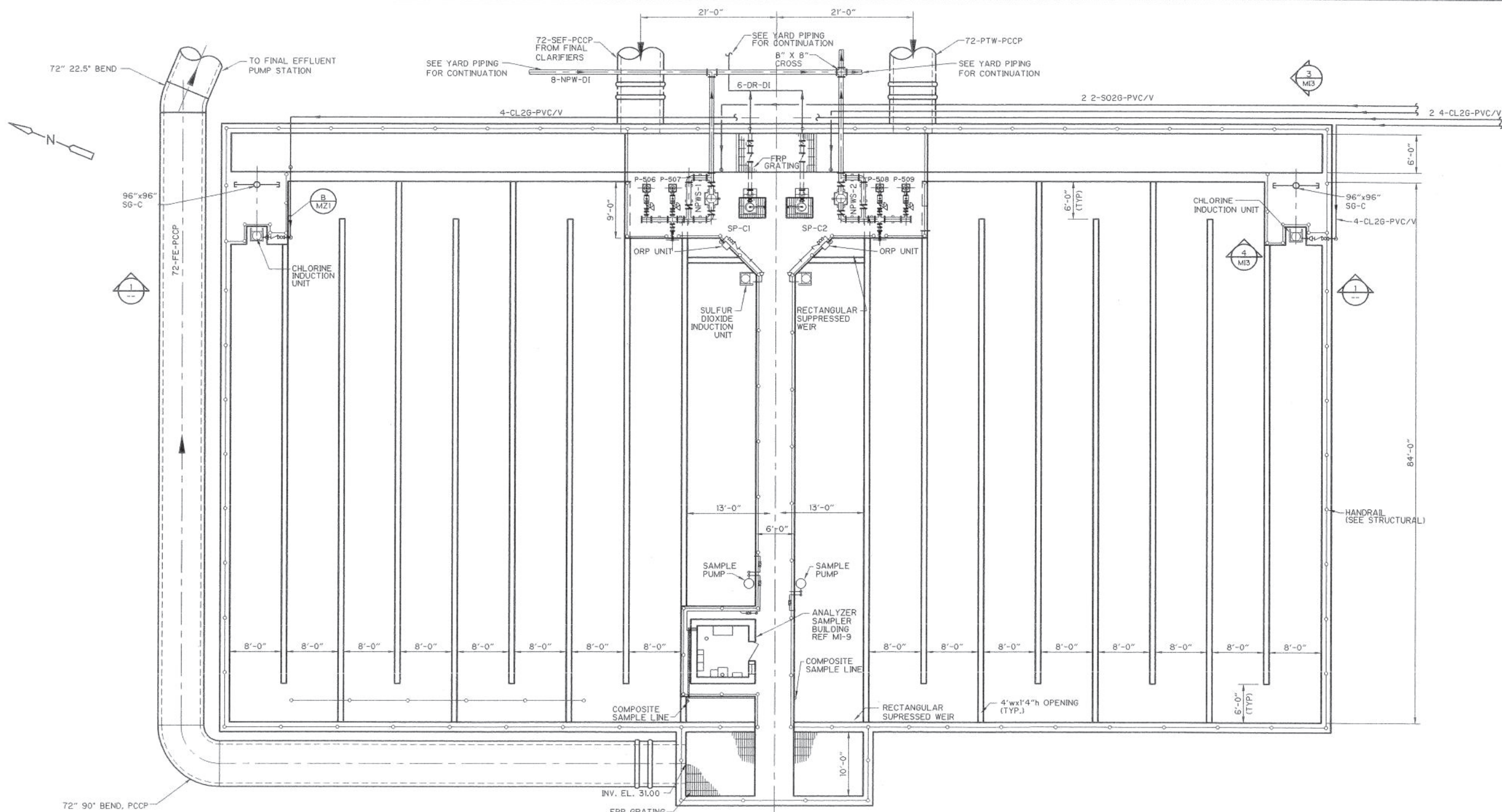
APPROVED:


Justin Sharper, P.E.

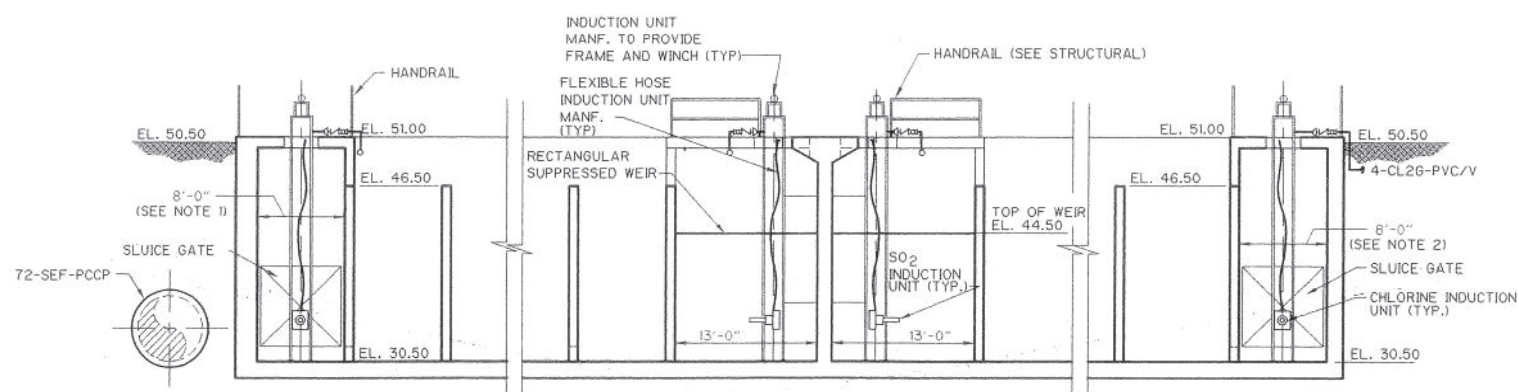


12-6-23

APPENDIX C – CHLORINE CONTACT BASINS



PLAN
SCALE: 1/8" = 1'-0"

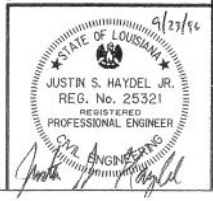


SECTION 1
SCALE: 1/8" = 1'-0"

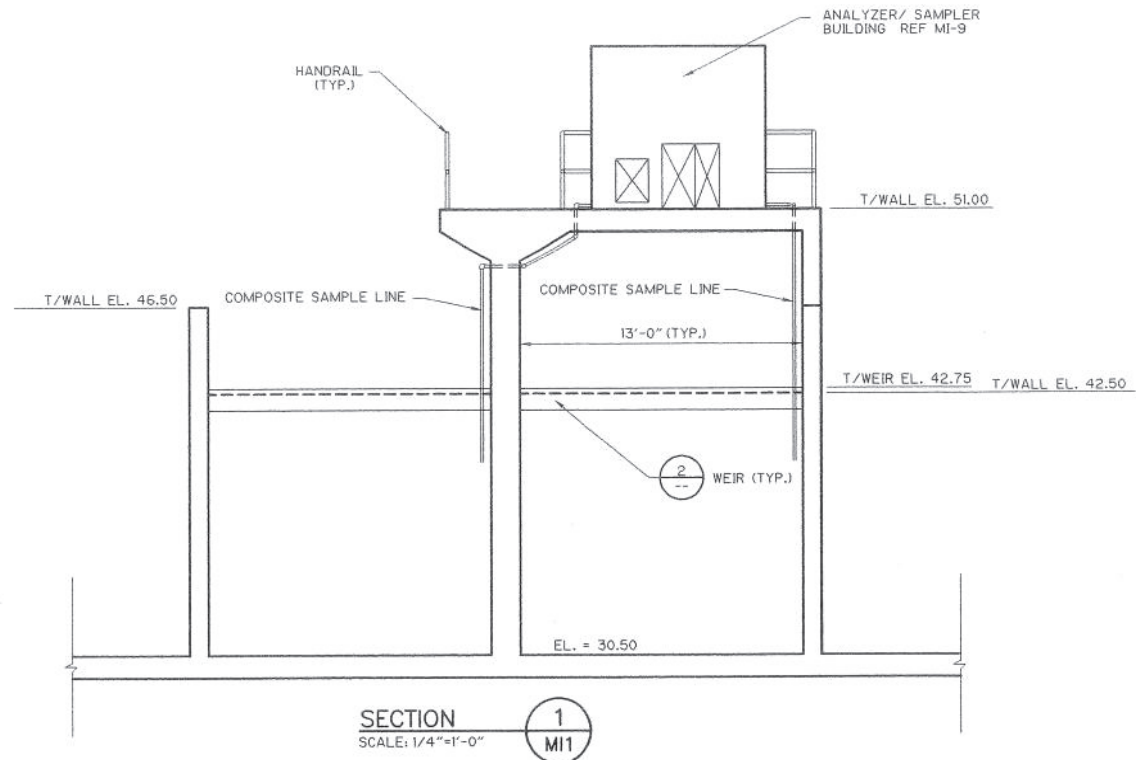
NOTE
NPW, SUMP PUMPS AND EQUIPMENT NOT SHOWN FOR CLARITY

- NOTE:**
- NONPOTABLE WATER PIPING SHALL BE INSTALLED AND ROUTED AS SHOWN ON CIVIL DRAWINGS (C-SHEETS).
 - CONTRACTOR SHALL ADJUST WIDTH SLIGHTLY TO ACCOMMODATE INSTALLATION OF SLUICE GATE IF NECESSARY FOR MANUFACTURER'S EQUIPMENT TO FIT.

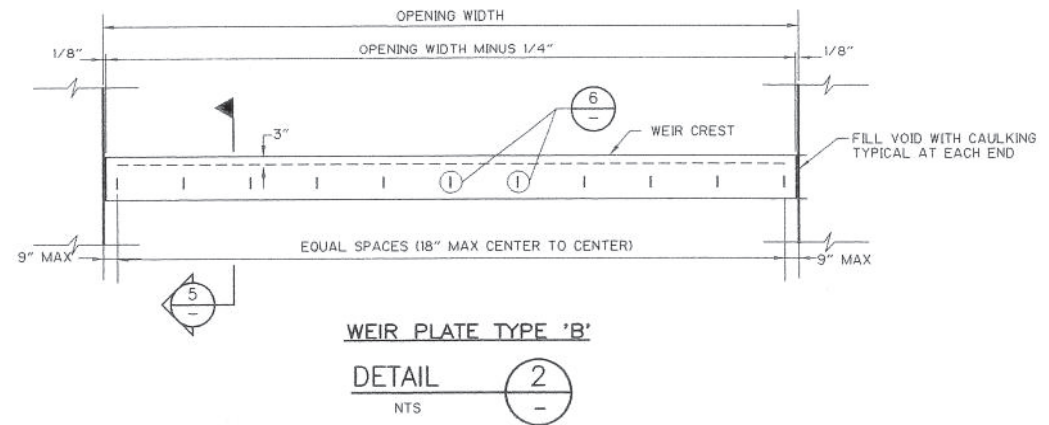
CONFORMED



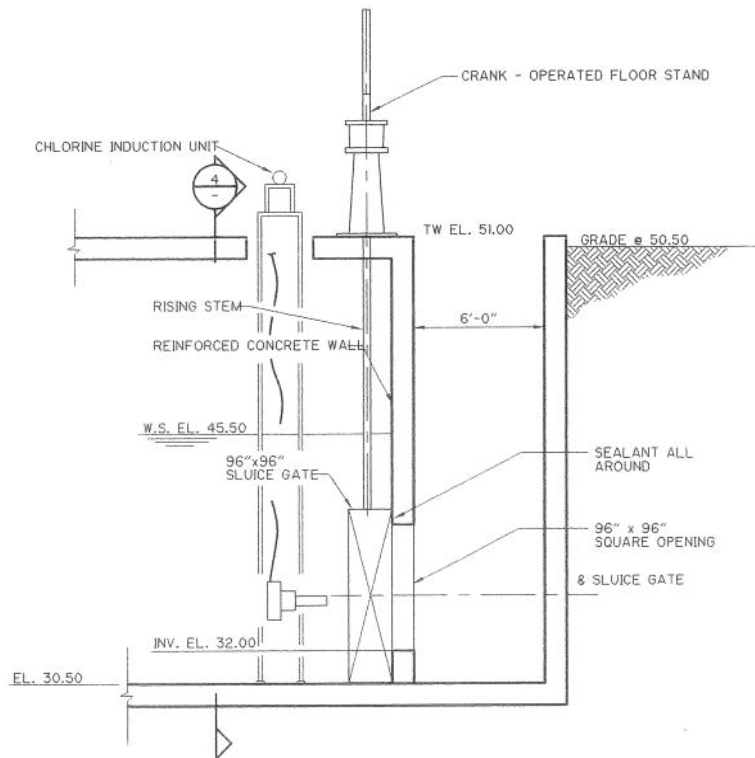
DESIGNED BY: J. HAYDEL	DATE: 11/11/15	REVISIONS:
DRAWN BY: J. ALCINA	DATE: 11/11/15	
CHECKED BY: D. MOJESKI	DATE: 11/11/15	
APPROVED BY: J. HAYDEL	DATE: 11/11/15	
CAMP DRESSER & MCKEE INC. CDM PROFESSIONAL ENGINEERING CONSULTANTS CITY OF BATON ROUGE / PARISH OF EAST BATON ROUGE		
NORTH CSD WASTEWATER TREATMENT PLANT EXPANSION PHASE II - A CHLORINE CONTACT BASIN PLAN AND SECTION		
PROJECT NO.	6137-121	
SHEET NO.	MI-1	



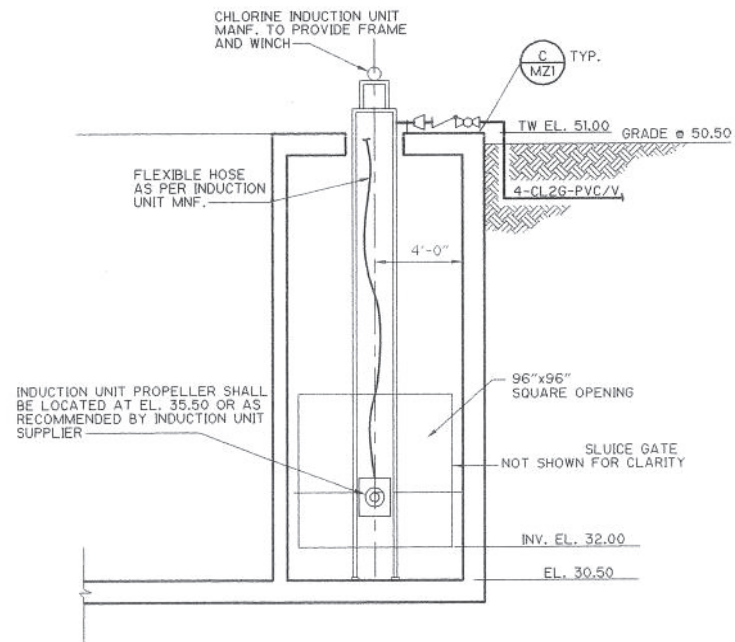
SECTION 1
SCALE: 1/4"=1'-0"
MI1



WEIR PLATE TYPE 'B'
DETAIL 2
NTS

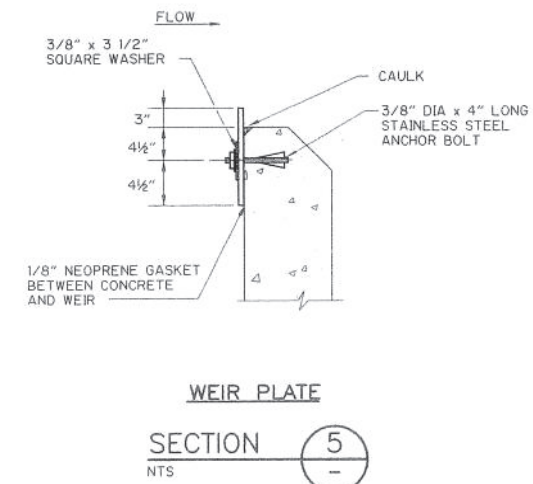


SECTION 3
SCALE: 1/4"=1'-0"
MI1

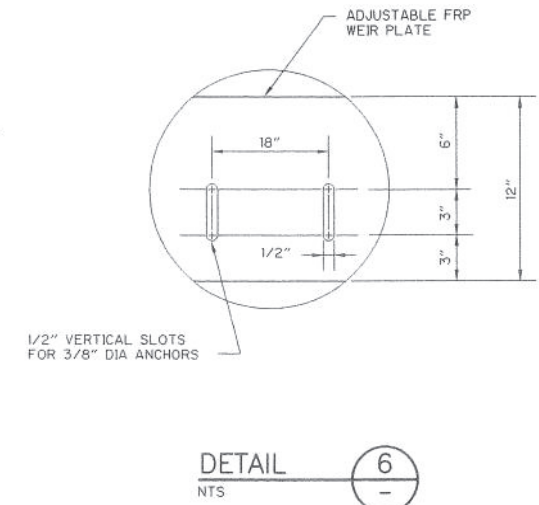


SECTION 4
SCALE: 1/4"=1'-0"
MI1

NOTE:
INSTALLATION OF SULFUR DIOXIDE UNITS,
PIPING AND VALVES SIMILAR TO CHLORINE
INDUCTION UNITS.

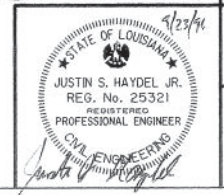


WEIR PLATE
SECTION 5
NTS



DETAIL 6
NTS

CONFORMED



PROJECT NO.
6137-121
SHEET NO.
MI-3

NORTH CSD WASTEWATER TREATMENT PLANT EXPANSION PHASE II - A

**CHLORINE CONTACT BASIN
SECTION AND DETAILS**

CITY OF BATON ROUGE / PARISH OF EAST BATON ROUGE

CAMP DRESSER & MCKEE INC. CDM

PROFESSIONAL ENGINEERING CONSULTANTS

DESIGNED BY: J. HAYDEL
DRAWN BY: J. ALCINA
CHECKED BY: D. MODJESKI
APPROVED BY: J. HAYDEL
DATE: JUNE, 1995

REMARKS

CHG

DATE

NO.

BY